



# Manual GAS GRILL G21

Nevada BBQ



6x Burner  
24 kW



Hot Plate  
4 kW



Infrared Burner  
4 kW



4 850 cm<sup>2</sup>



Rotisserie  
Kit



Sink



Piezo  
Lighter



302 / 120 / 62  
cm

**EN DE CZ SK HU PL HR SLO**

**CE** 2575DL0359CN1249 / 2023

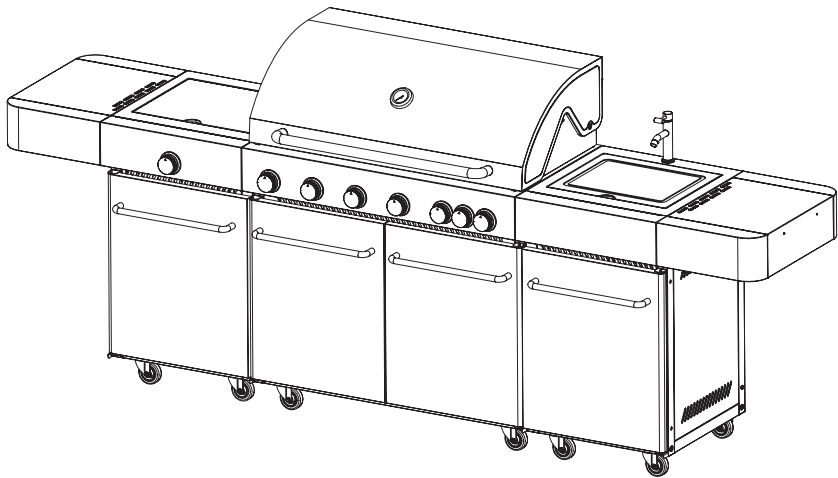
۱۷۲



## ASSEMBLY AND OPERATION INSTRUCTIONS

Model: Nevada BBQ

USE ONLY THE HOSE AND HOSE CONNECTOR PROVIDED! IF A REPLACEMENT IS NECESSARY, PLEASE CONTACT EITHER OUR CUSTOMER SERVICE DEPARTMENT OR YOUR LOCAL DEALER. THE USE OF UNAUTHORISED PARTS CAN BE DANGEROUS.



FOR OUTDOOR USE ONLY

PLEASE READ INSTRUCTIONS CAREFULLY BEFORE ASSEMBLY

RETAIN THIS MANUAL FOR FUTURE REFERENCE

## **WARNING**

### **Hazardous fire or explosion may result if instructions are not followed.**

It is the consumer's responsibility to see that the barbecue is properly assembled, installed, and taken care of. Failure to follow instructions in this manual could result in bodily injury and/or property damage.

#### **For your safety if you smell gas:**

1. Turn off gas supply at bottle.
2. Extinguish all naked flames; do not operate any electrical appliances.
3. Ventilate the area.
4. Check for leaks as detailed in this manual.
5. If odour persists, contact your dealer or gas supplier immediately.

#### **Safety precautions:**

1. Perform impermeability check after each tank refill.
2. Never perform impermeability check with a match or open flame.
3. Do not store gasoline or other flammable vapours and liquids in the vicinity of this or any other appliance.
4. Any LP cylinder not connected for use shall not be stored in the vicinity of this or any other appliance.

#### **Assembly:**

**WARNING:** Whilst every effort has made in manufacture of your barbecue to remove any sharp edge, you should handle all components with care to avoid accidental injury.

**Tools required:** Either a crosshead screwdriver or flat-bladed screwdriver and either a spanner (we have supplied a multifunction spanner) or a pair pliers.

#### **Assembly:**

Please read all instructions thoroughly before proceeding. Find a large, clean area to assemble your barbecue. Please refer to the parts list and assembly diagram as necessary. Assembly of the barbecue involves many large components, it is advisable to have two people to assemble the unit.

**NOTICE:** Rip off all the plastic protection before assembling!

**WARNING:** Do not move the appliance during use.

Turn off gas supply at the gas cylinder when appliance is not in use.

Do not modify the appliance.

Minimum distance from sides and back of unit to combustible construction is 3 m from side and 3 m from back.

Technical Information:



	Nevada BBQ - grill	Nevada BBQ - hotplate
THERMAL POWER	24 kW (1714 g/h) The grill burner is dimensioned to 4 kW and the side grill burner is dimensioned to 4 kW. The appliance is also fitted with a rear burner rated at 4,0 kW (286g/h). This burner must not be used at the same time as the grill burners.	4 kW (286 g/h) The grill burner is dimensioned to 4 kW

GAS CATEGORY:	I3+(28-30/37)		I3B/P(30)
GAS TYPES:	Butane	Propane	Butane/Propane mixture
GAS PRESSURE:	28 - 30 mbar	37 mbar	30 mbar
INJECTION JET SIZE:	Grill: 0,95 mm Side: 0,95 mm Infra: 0,95 mm		
IDENTIFICATION CODE:	2575DL0359BT887		

ONLY FOR USE OUTDOORS AND IN WELL VENTILATED AREAS.

WARNING: ACCESIBLE PARTS OF THE GRILL CAN BE VERY HOT. KEEP OUT OF REACH OF CHILDREN.

DO NOT MOVE THE APPLIANCE DURING USE.

TURN OFF THE GAS SUPPLY AT THE GAS CYLINDER AFTER USE.

DO NOT MODIFY THE APPLIANCE.

THIS APPLIANCE MUST BE KEPT AWAY FROM FLAMMABLE MATERIALS DURING USE.

READ THE INSTRUCTION MANUAL BEFORE USING THE APPLIANCE.

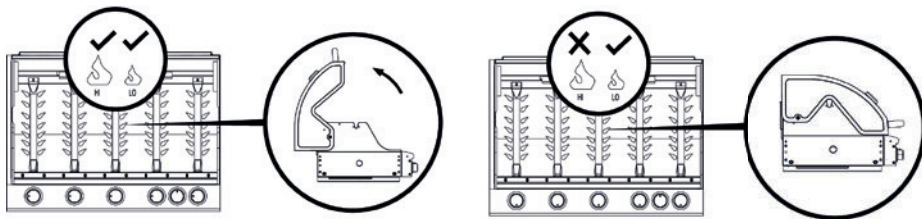
IN ADDITION A LOGO OR WARNING SHALL BE USED TO FORBID GAS CYLINDERS IN PLACES OF THE APPLIANCE NOT INTENDED TO RECEIVE GAS CYLINDERS IF ANY.

Note:

Diameter dimension of pan used for side burner, must be between 140-240mm

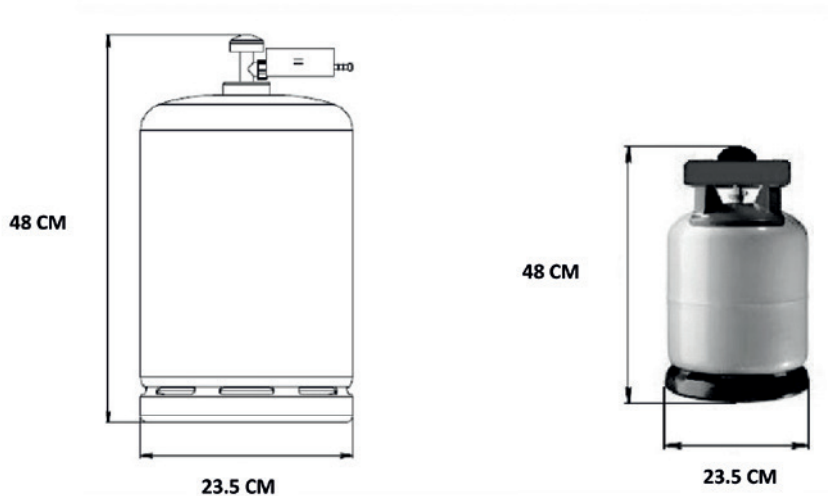
Digits on the injector indicates its size, For example, "0,95" on the injector means injector size is "0,95mm".

## WARNING INFORMATION



### Important:

- Read the following instructions carefully and be sure your barbecue is properly installed, assembled and cared for. Not following these instructions may result in serious injury and/or property damage.
- If you have any questions concerning assembly or operation, contact your dealer or LPG Gas Company.
- Prior to use please make sure the appliance and cylinder are placed on a flat level ground.
- Never light the GRILL OR REAR BURNERS with the HOOD in the closed position.
- Never light the SIDE BURNER with the lid in the closed position.
- Your barbecue can be used with gas cylinders with maximal weight 15 kg.



## NOTE FOR CONSUMER: Retain for future Reference

### Connecting the gas cylinder to the grill

This appliance is only suitable for use with low-pressure butane or propane gas or LPG mixtures, fitted with the appropriate low-pressure regulator via a flexible hose. The hose should be secured to the regulator and the appliance with hose clips. For barbecue which is set to I3B/P(30), I3+(28-30/37) use a regulator which operates butane gas at 30 mbar and propane gas at 37 mbar. For I3B/P(50), a regulator operates the butane, propane gas mixture at 50mbar. Ensure the regulator was certified by standard EN16129. Never store gas cylinder inside the grill.

### Regulator and Hose

Use only regulators and hose approved for LP Gas at the above pressures. The life expectancy of the regulator is estimated as 2 years. It is recommended that regulator is changed within 2 years of the date of manufacture. The use of the wrong regulator or hose is unsafe; always check that you have the correct items before operating the barbecue. The hose used must conform to the relevant standard for the country of use. The length of the hose must be 1.5 metres (maximum). Worn or damaged hose must be replaced. Ensure that the hose is not obstructed, kinked, or in contact with any part of the barbecue other than at its connection.

### Storage of Appliance

Storage of an appliance indoors is only permissible if the cylinder is disconnected and removed from the appliance. When the appliance is not to be used for a period of time it should be stored in its original packaging and stored in a dry dust free area.

### Gas Cylinder

The gas cylinder should not be dropped or handled roughly! Always keep the cylinder in upright position. during operation. Make sure the cylinder is from any source of flame before you change the cylinder. If the appliance is not in use, the cylinder must be disconnected. Replace the protective cap on the cylinder after disconnecting the cylinder from the appliance. The gas cylinder must be sited outside the body of the appliance.

Cylinders must be stored outdoors in an upright position and out of the reach of children. The cylinder must never be stored where temperatures can reach over 50°C. Do not store the cylinder near flames, pilot lights or other sources of ignition. **DO NOT SMOKE.**

This barbecue is designed for use outdoors, away from any flammable materials. It is important that there are **no overhead obstructions** and that there is a minimum distance of 3 m from the side or rear of the appliance. It is important that the ventilation openings of the appliance are not obstructed. The barbecue must be used on a level, stable surface. The appliance should be protected from direct draughts and shall be positioned or protected against direct penetration by any trickling water (e.g. rain).

Parts sealed by the manufacturer or his agent must not be altered by the user. No modifications should be made to any part of this barbecue and repairs and maintenance should only be carried out by a registered service engineer.

Since this barbecue has no restriction in the Emission of unburned gas, this barbecue must be installed and/or used outdoors or in an amply ventilated area.



## Appliance connection

Before connection, ensure that there is no debris caught in the head of the gas cylinder, regulator, burner and burner ports. Spiders and insects can nest within and clog the burner/venturi tube at the orifice. A clogged burner can lead to a fire beneath the appliance.

Fit the hose to the appliance using a spanner to tighten it onto the connection thread. If the hose is replaced it must be secured to the appliance and regulator connections with hose clips. Disconnect the

regulator from the cylinder (according to the directions supplied with the regulator) when the barbecue is not in use.

The Barbecue must be used in a well ventilated area. Do not obstruct the flow of combustion air to the burner when the barbecue is in use. GRILL CAN ONLY BE USED OUTDOOR.

BEFORE USE CHECK FOR LEAKS.

NEVER CHECK FOR LEAKS WITH A NAKED FLAME, ALWAYS USE A SOAPY WATER SOLUTION.

### To check for leaks

- Make 2-3 fluid ounces of leak detecting solution by mixing one part washing up liquid with 3 parts water.
- Ensure the control valve is "OFF".
- Connect the regulator to the cylinder and ON/OFF valve to the burner, ensure the connections are secured then turn ON the gas.
- Brush the soapy solution onto the hose and all joints. If bubbles appear you have a leak, which must be rectified before use.
- Retest after fixing the fault.
- Turn OFF the gas at the cylinder after testing.
- If leakage is detected and cannot be rectified. Do not attempt to cure leakage but contact your gas dealer.



## Lighting Instructions

### Lighting Instructions - Main burner (Applies for all gas grills)

1. Open the hood of the barbecue before attempting to light the burners.
2. Turn all the control knobs clockwise to "OFF" position.
3. Connect the regulator to the gas bottle. Turn the gas supply "ON" at the regulator. Check with the use of soapy water for any gas leakage between the bottle and the regulator.
4. Push down the front left control knob and keep pressing whilst turning anti-clockwise to the "HIGH" position (a clicking sound is heard), this will light the left hand burner. Observe if the burner has lit. If not repeat this process.
5. If the burner has not lit after retrying wait 5 minutes and repeat step 4.
6. Adjust the heat by turning the knob to the High/Low position.
7. If the burner does not light. Light the appliance with a match using the lighting hole in the side of the appliance. Consult your gas dealer to rectify the ignition.
8. To light the remaining burners in sequence from left to right, repeat step 4 above. The cross-lighting channel between the burners will light the burner adjacent to it. Never attempt to light other burners except left hand burner first.
9. To turn the barbecue 'OFF' turn the cylinder valve or regulator switch to the 'OFF' position and then turn the control knob on the appliance clockwise to the 'OFF' position.

### Lighting Instructions - Side burner (Applies only for grills equipped with a side burner)

1. Open the lid of the side burner.
2. Push down the side burner control knob and keep pressing whilst turning anti-clockwise to the "HIGH" position (a clicking sound is heard), this will light the side burner. Observe if the burner has lit. If not, repeat this process.
3. If the burner has not lit after retrying wait 5 minutes and repeat step 2.
4. Adjust the heat by turning the knob to the High/Low position.
5. If the burner does not light. Light the appliance with a match using a long match or taper. Consult your gas dealer to rectify the ignition.
6. To turn the side burner 'OFF', turn the control knob clockwise to the 'OFF' position. If you wish to turn the complete barbecue 'OFF' turn the cylinder valve or regulator switch to the 'OFF' position and then turn the control knob on the appliance clockwise to the 'OFF' position.

### Lighting instructions - Rear burner (Applies only for grills equipped with a rear burner)

1. Open the hood of the barbecue.
2. Push down the rear burner control knob and turn it anti-clockwise to the "Full rate" position, this will light the rear burner. Observe if the burner has lit. If not repeat this process.
3. If the burner has not lit after retrying wait 5 minutes and repeat step 2.
4. Adjust the heat by turning the knob to the „high“ / „low“ position.
5. If the burner does not light, light the appliance with a match using a long match or taper. Consult your gas dealer to rectify the ignition.
6. To turn the rear burner "OFF" turn the control knob clockwise to the "OFF" position. If you wish to turn the complete barbecue "OFF" turn the gas supply or regulator switch to the "OFF" position and then turn the control knob on the appliance clockwise to the "OFF" position.

### **IMPORTANT WARNING:**

**Do not use rotisserie burner when main burners are in use.**

**WARNING:** If the burner fails to ignite, turn the control knob off (clockwise) and also turn the cylinder valve off. Wait five minutes before attempting to relight with ignition sequence.

**Before cooking for the first time, operate the barbecue for about 15 minutes with the lid closed and the gas turned on LOW.** This will “heat clean” the internal parts and dissipate odour from the painted finish.

Clean your barbecue after each USE. DO NOT use abrasive or flammable cleaners, as it will damage the parts of the product and may start a fire. Clean in warm soapy water.

**WARNING:** Accessible parts may be very hot. Keep young children away from the hot appliance at all times (even while cooling down!). It is recommended to use protective gloves (eg oven gloves) when handling particularly hot components.

## Cleaning and maintenance

**CAUTION:** All cleaning and maintenance should be carried out when the barbecue is cold and with the fuel supply turned OFF at the gas cylinder.

### Cleaning

“Burning off” the barbecue after every use (for approx 15 minutes) will keep excessive food residue to a minimum.

### Outer surface

Use mild detergent or baking soda and hot water solution. Non-abrasive scouring powder can be used on stubborn stains, then rinse with water.

### Interior of barbecue bottom

Remove residue using brush, scraper and/or cleaning pad then wash with a soapy water solution. Rinse with water and allow to dry.

### Wooden surface

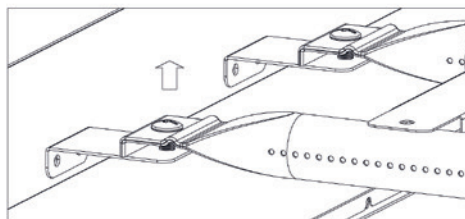
Wash with a soft cloth and hot soapy water solution. Rinse with water. Do not use abrasive cleaners, degreasers or a concentrated barbecue cleaner on wooden parts.

### Cooking grid

Use a mild soapy water solution. Non-abrasive scouring powder can be used on stubborn stains then rinse with water.

### Burner cleaning

- Turn the gas OFF at the control knob and disconnect the cylinder.
- Remove grate.
- Clean the burner with a soft brush or blow clean with compressed air and wipe with a cloth.
- Clean any clogged ports with a pipe cleaner or stiff wire (such as an opened paper clip).
- Inspect burner for any damage (cracks or holes). If damage is found, replace with a new burner. Reinstall the burner, check to ensure that the Gas valve orifices are correctly positioned and secured inside the burner inlet (venturi).



## Service

Your gas barbecue should be serviced annually by a competent registered person.

## Troubleshooting

PROBLEM	POSSIBLE CAUSE	SOLUTION
The burner does not ignite using the ignition system	<ol style="list-style-type: none"><li>1.LP gas cylinder is empty</li><li>2.Faulty regulator</li><li>3.Obstructions in burner</li><li>4.Obstructions in gas jets or gas hose</li><li>5. Electrode wire loose or disconnected on electrode or ignition unit</li><li>6.Electrode or wire is damaged faulty pushbutton igniter</li></ol>	<ol style="list-style-type: none"><li>1.Replace with full cylinder</li><li>2.have regulator checked or replace</li><li>3.Clean burner</li><li>4.Clean jets and gas hose</li><li>5.Reconnect wire</li><li>6.Change electrode and wire change igniter</li></ol>
The burner cannot be ignited even with the use of matches	<ol style="list-style-type: none"><li>1.LG gas cylinder is empty</li><li>2.Faulty regulator</li><li>3.Obstructions in burner</li><li>4.Obstructions in gas jets or gas hose</li></ol>	<ol style="list-style-type: none"><li>1.Replace with full cylinder</li><li>2.Have regulator checked or replace</li><li>3.Clean burner</li><li>4.Clean jets and gas hose</li></ol>
Low flame or flashback (fire in burner tube-a hissing or roaring noise may be heard)	<ol style="list-style-type: none"><li>1.LP gas cylinder is too small</li><li>2.Obstructions in burner</li><li>3.Obstructions in gas jets or gas hose</li><li>4.Windy conditions</li></ol>	<ol style="list-style-type: none"><li>1.Use larger cylinder</li><li>2.Clean burner</li><li>3.Clean jets and gas hose</li><li>4.Use BBQ in a more sheltered place</li></ol>

## CARE AND PROTECTION OF STAINLESS STEEL SURFACES

Your BBQ features Stainless Steel components, using moderate grade Stainless Steels. All Stainless Steel grades require a level of care and protection to retain their appearance. **Stainless Steels are not immune to corrosion and neither are they maintenance-free, contrary to popular public perception.** Even the highest marine grades of Stainless Steel require frequent cleaning with fresh water to avoid oxidation and other corrosive issues.

After assembly, **we recommend that owners apply a thin layer of Olive Oil with a clean rag, to all exposed Stainless Steel areas.** This should then be polished in and buffed off with another clean rag to a non-oily finish. This process will aid protection against dirt and other corrosive contaminants, by providing a temporary food-safe shield. The Olive Oil layer also makes later polishing and removal of fingerprints easier. This process should be repeated frequently when cleaning your grill.

**You may have bought a protective cover for your BBQ.** It is recommended that a BBQ cover should be used at all times when the BBQ is not in use to protect your investment. **However it is vital to understand that unless the BBQ is cool, clean and dry when the cover is fitted, use of a cover can in fact be detrimental.** A cover placed on a warm, wet or unclean BBQ (or any mix of these factors) can in fact be a very effective corrosion breeder!

For this reason, **the BBQ should always be cool, cleaned of any surface contaminants or dirt and be thoroughly dry before a protective cover is fitted.** This is especially important before a BBQ is stored for any length of time i.e. if the BBQ doesn't get frequent use, or when the BBQ is stored away over winter months.

In order to maintain the quality of the finish of your Stainless Steel BBQ, the owner must be vigilant with care and maintenance according to this advice.

**Look after your investment carefully and it will serve you well for many years to come.**

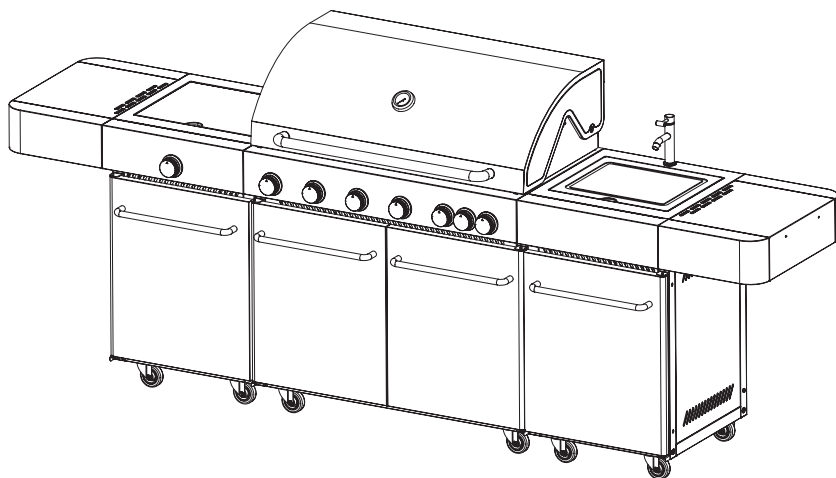
**DE**

## **MONTAGE- UND BETRIEBSANWEISUNGEN**

Modell: Nevada BBQ

VERWENDEN SIE NUR DEN BEIGELEGTEN SCHLAUCH UND SCHLAUCHANSCHLUSS!  
WENN EIN ERSATZ ERFORDERLICH SEIN SOLLTE, WENDEN SIE SICH AN UNSEREN  
KUNDENDIENST ODER IHREN LOKALEN HÄNDLER.

DIE VERWENDUNG VON NICHT FREIGEgebenEN TEILEN KANN ZU UNSICHEREN  
BETRIEBSBEDINGUNGEN FÜHREN UND DIE UMWELT GEFÄHRDEN.



NUR ZUR VERWENDUNG IM FREIEN

BITTE LESEN SIE DIESE ANWEISUNGEN SORGFÄLTIG VOR DER MONTAGE DURCH  
BEWAHREN SIE DIESES HANDBUCH ZUM SPÄTEREN NACHSCHLAGEN AUF

## **WARNUNG**

### **Das Ignorieren dieser Anweisungen kann zu gefährlichen Bränden oder Explosion führen**

Es obliegt der Verantwortung des Verbrauchers, dass der Grill richtig montiert, installiert und gewartet wird. Die Nichtbeachtung der Anweisungen in diesem Handbuch kann zu Verletzungen und / oder Sachschäden führen.

#### **Sicherheitsanweisungen für den fall, dass sie gasgeruch wahrnehmen:**

1. Schließen Sie die Gasversorgung an der Flasche.
2. Löschen Sie alle offenen Flammen; betreiben Sie keine elektrischen Geräte.
3. Lüften Sie den Bereich.
4. Überprüfen Sie die Dichtheit, wie in diesem Handbuch beschrieben.
5. Wenn der Gasgeruch weiterhin bestehen, wenden Sie sich sofort an Ihren Händler oder Gaslieferanten.

#### **Vorsichtsmassnahmen:**

1. Überprüfen Sie die Dichtheit aller Verbindungen nach jedem Befüllen der Gasflasche.
2. Suchen Sie NIE nach Lecks mit einem Streichholz oder offenem Feuer.
3. Lagern Sie keine Benzin oder andere entflammbare Dämpfe und Flüssigkeiten in der Nähe dieses oder anderer ähnlicher Geräte.
4. Jede LPG Flasche, die nicht mit dem Grill verbunden ist, darf nicht in der Nähe dieses oder eines anderen ähnlichen Geräts gelagert werden.

#### **Zusammenbau:**

**WARNHINWEIS:** Trotz aller Bemühungen bei der Herstellung sämtliche scharfen Kanten an Ihrem Grill zu entfernen, sollten Sie alle Teile vorsichtig handhaben, um versehentliche Verletzungen zu vermeiden.

**Benötigtes Werkzeug:** Entweder ein Kreuzschlitz- oder Schlitzschraubendreher und einen Schlüssel (haben wir ein Multifunktionsschlüssel im Lieferumfang enthalten) oder ein Paar Zangen.

#### **ZUSAMMENBAU:**

Bitte lesen Sie alle Anweisungen gründlich durch, bevor Sie fortfahren. Suchen Sie einen großen, sauberen Bereich, in dem Sie Ihren Grillwagen zusammenbauen. Bei Bedarf verweisen wir auf die Stückliste und den Montageplan. Die Montage des Grills beinhaltet viele große Bauteile, daher ist es ratsam, den Zusammenbau zu zweit durchzuführen.

**HINWEIS:** Stellen Sie sicher, dass alle Kunststoffschutzfolien vor der Montage entfernt werden!

**ACHTUNG:** Bewegen Sie das Gerät während des Betriebs nicht.

Schließen Sie die Gaszufuhr an der Gasflasche, wenn das Gerät nicht in Gebrauch ist  
Ändern Sie nichts am Gerät.

Mindestabstand an den Seiten und der Rückseite des Gerätes zu brennbaren Konstruktionen jeweils 3 m.

Technische Informationen:



	Nevada BBQ - Grill	Nevada BBQ - Platte
<b>GESAMMT WÄRMEEINTRAG: ( ALLE KATEGORIEN)</b>	24 kW (1714 g/h) Jeder Brenner wird für 4,0 kW, inkl. hinterer Brenner ausgelegt. Der hintere Brenner darf nicht in derselben Zeit benutzt werden, wie die Grillbrenner.	4 kW (286 g/h) Der Grillbrenner ist mit 4 kW

<b>GERÄTE KATEGORIE:</b>	I3+(28-30/37)		I3B/P(30)
<b>GASARTEN:</b>	Butan	Propan	Butan, Propan oder deren Mischung
<b>GASDRUCK:</b>	28 - 30 mbar	37 mbar	30 mbar
<b>INJECTOR GRÖSSE:</b>	Grill: 0,95 mm Seite: 0,95 mm Infra: 0,95 mm		
<b>KENNNUMMER:</b>	2575DL0359BT887		

**ES IST FÜR AUSSENBEREICHE SOWIE FÜR DEN GEBRAUCH IN GUT GELÜFTETEN RÄUMEN BESTIMMT.**

**HINWEIS: DIE TEILE DES GRILLS KÖNNEN WÄHREND DES GRILLENS SEHR HEISS SEIN (CA. 1 STUNDE). KINDER DÜRFEN DEN GRILL NICHT BENUTZEN. HALTEN SIE KINDER IM AUSREICHENDEN ABSTAND, DAMIT VERBRENNUNGEN VERHINDERT WERDEN.**

**ES IST VERBOTEN, BEIM BETRIEB DEN GRILL ZU VERLEGEN.**

**NACH DER BENUTZUNG DES GRILLS IST DIE GASZUFÜHRUNG AUF DER GASFLASCHE ZU SCHLIESSEN.**

**AM GERÄT DÜRFEN KEINE VERÄNDERUNGEN DURCHGEFÜHRT WERDEN.**

**DIESES GERÄT DARF BEI DESSEN BENUTZUNG IN DER ANWESENHEIT VON BRENNBAREN STOFFEN NICHT BENUTZT WERDEN.**

**VOR DER BENUTZUNG DES GERÄTS IST DIE GEBRAUCHSANWEISUNG DURCHZULESEN.**

**DAS WARNSCHILD WEIST DARAUF HIN, DASS DIE GASFLASCHE BEIM GEBRAUCH AUSSERHALB DES GRILLS UND NICHT IM GRILL SEIN SOLL.**

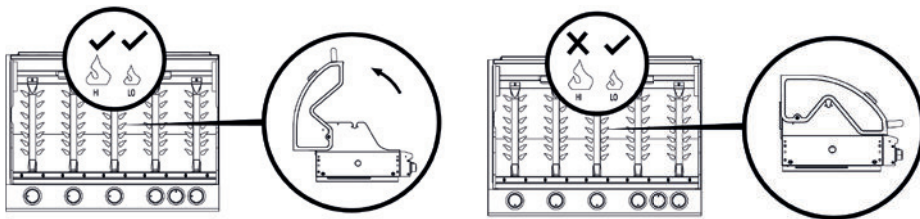
**BEMERKUNG:**

Der Durchmesser der verwendeten Pfannen am Seitenbrenner, muss zwischen 140-240mm liegen.

Die Ziffern auf dem Injektor zeigen seine Größe, beispielsweise „0,95“ auf dem Injektor bedeutet die Injektor Größe ist „0,95 mm“.

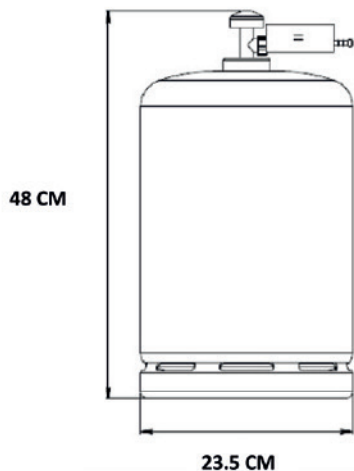


## WARNHINWEISE



### WICHTIG:

- Lesen Sie die folgenden Anweisungen sorgfältig durch und stellen Sie sicher, dass Ihr Grill richtig installiert, zusammengebaut und gewartet ist. Die Nichtbeachtung dieser Anweisungen kann zu schweren Verletzungen und / oder Sachschäden führen.
- Wenn Sie Fragen zur Montage oder Betrieb haben, wenden Sie sich an Ihren Händler oder LPG bzw. Gas Lieferanten.
- Wenn Sie den Grill aufstellen, stellen Sie das Gerät und die Gasflasche stets auf einen ebenen Boden.
- Zünden Sie den Grill oder den hinteren Brenner nie an, wenn sich der Deckel in der geschlossenen Position befindet.
- Zünden Sie den Seitenbrenner nie an, wenn sich die Abdeckungen der geschlossenen Position befinden.
- Ihr Grill kann mit Gasflaschen mit einem Maximalgewicht von 15 kg betrieben werden.



## **HINWEIS FÜR VERBRAUCHER: bewahren Sie die Anweisungen für späteren Gebrauch auf**

### **ANSCHLUSS DER GASFLASCHE AN DAS GERÄT**

Dieses Gerät ist nur für die Verwendung mit Niederdruck-Butan; Propan oder LPG Gasgemischen geeignet und die Gasflasche muss mit einem entsprechenden Niederdruckregler verfügen über muss einen flexiblen Schlauch angeschlossen werden. Der Schlauch sollte am Regler und am Gerät mit Schlauchschellen gesichert werden. Bei Geräten der Kategorie I3B / P (30), I3 + (28-30 / 37) sollte ein Regler verwendet werden, der bei Butangas bei 30 mbar und bei Propangas bei 37 mbar arbeitet. Bei I3B / P (50) sollte der Regler bei Butan, Propan Gasgemisch bei 50 mbar arbeiten. Achten Sie darauf, dass der Regler nach dem Standard EN16129 zertifiziert wurde. Lagern Sie die Gasflaschen niemals im Innern des Grills.

### **Regler und Schlauch**

Verwenden Sie nur Regler und Schlauch für Flüssiggas, die für die weiter oben genannten Drücke freigegeben wurden. Die Lebenserwartung des Reglers wird auf 2 Jahre geschätzt. Es wird empfohlen, den Regler innerhalb von 2 Jahren nach dem Herstellungsdatum auszutauschen.

Die Verwendung eines falschen Reglers oder Schlauches ist nicht sicher; überprüfen Sie immer, dass Sie die richtigen Teile verwenden, bevor Sie mit dem Grillen beginnen.

Der verwendete Schlauch, muss den entsprechenden Normen des Einsatzlandes entsprechen. Die Länge des Schlauches darf max. 1,5 m sein. Ein abgenutzter oder beschädigter Schlauch muss ersetzt werden. Stellen Sie sicher, dass der Schlauch nicht verstopft, geknickt oder in Kontakt mit einem Teil des Grills, ausser dessen Anschluss, ist.

### **Lagerung des Geräts**

Die Lagerung eines Gerätes in Innenräumen ist nur zulässig, wenn die Gasflasche getrennt und aus dem Gerät entfernt wurde. Wenn das Gerät für einen bestimmten Zeitraum nicht verwendet wird, sollte es in der Originalverpackung und an einem trockenen staubfreien Ort gelagert werden.

### **Gasflasche**

Die Gasflasche darf nicht fallengelassen oder grob behandelt werden! Halten Sie die Flasche während des Gebrauchs in aufrechter Position. Stellen Sie sicher, dass die Gasflasche fern von jeglicher Feuerquelle ist, bevor sie Sie austauschen. Wenn das Gerät nicht in Gebrauch ist, muss die Gasflasche vom Grill getrennt werden. Setzen Sie nach dem Trennen die Schutzkappe auf die Gasflasche, um das Verschlussventil zu schützen. Die Gasflasche muss außerhalb des Gehäuses des Grills abgestellt werden.

Gasflaschen müssen im Freien in einer aufrechten Position und außerhalb der Reichweite von Kindern aufbewahrt werden. Die Gasflasche darf nicht in Bereichen gelagert werden, wo Temperaturen über 50°C erreicht werden können. Lagern Sie die Gasflasche nicht in der Nähe von Feuer, Zündflammen oder anderen Zündquellen. **BEIM UMGANG NICHT RAUCHEN.**

Dieser Grill ist für den Einsatz im Außenbereich konzipiert, außer Reichweite von entflammaren Materialien. Es ist wichtig, dass während des Betriebs **keine Hindernisse über dem Grill** geben und dass ein Mindestabstand von 3 m von der Seite oder Rückseite des Geräts eingehalten wird. Es ist wichtig, dass die Belüftungsöffnungen des Geräts nicht blockiert sind. Der Grill muss auf einer ebenen, stabilen Unterlage aufgestellt werden. Das Gerät sollte vor direkter Zugluft geschützt werden und so aufgestellt sein, dass es vor dem Eindringen von Wasser (z.B. regen) geschützt ist.

**Teile, die vom Hersteller oder von seinem Beauftragten versiegelt wurden, dürfen vom Anwender nicht verändert werden. Es dürfen keine Änderungen an keinem der Teile dieses Grills gemacht werden und Reparatur und Wartung sollte nur von einem entsprechend zertifiziertem Servicetechniker durchgeführt werden.**

Da dieser Grill keine Beschränkung bei der Emission von unverbranntem Gas hat, darf er nur im

Freien oder in gut belüfteten Räumen aufgestellt und/oder betrieben werde.



## Verbindung zum Grill

Vor dem Anschluss ist sicherzustellen, dass sich keine Fremdkörper im Auslass des Gaszylinders, im Regler, Brenner und in den Brenneröffnungen befinden. Spinnen und Insekten nisten gerne in kleinen Öffnungen und können die Brenner / Venturi-Rohr an der Öffnung verstopfen. Ein verstopfter Brenner kann einen Brand unterhalb des Gerätes verursachen.

Stecken Sie den Schlauch an das Gerät und ziehen es mit einem Schraubenschlüssel am Anschlussgewinde fest. Wurde der Schlauch ersetzt, muss er an beiden Enden, einmal am Gerät und zweitens am Regleranschluss, mit Schlauchschellen gesichert werden. Entfernen Sie der Druckregler von der Flasche (nach zum Regler gehörenden Anweisungen), wenn der Grill nicht in Gebrauch ist.

Der Grill muss in gut belüfteten Bereichen verwendet werden. Behindern Sie die Zufuhr der Verbrennungsluft zum Brenner nicht, wenn der Grill in Gebrauch ist. **VERWENDEN SIE DEN GRILL NUR IM FREIEN.**

VOR DER VERWENDUNG AUF GASLECKS PRÜFEN.

SUCHEN SIE NIE NACH LECKS MIT OFFENER FLAMME, BENUTZEN SIE DAZU  
STATTDESSEN SEIFENWASSER.

## GASLECKSUCHE:

- Bereiten Sie etwa 100ml Leckerkennungslösung durch Mischen von einem Teil Spülmittel mit 3 Teilen Wasser.
- Stellen Sie sicher, dass das Hauptventil ZU ist.
- Schließen Sie den Druckregler an die Gasflasche an und das EIN/AUS-Ventil an den Brenner und stellen Sie sicher, dass die Anschlüsse fest angeschlossen sind, dann öffnen Sie das Gasventil.
- Bürsten Sie die Seifenlauge auf den Schlauch und alle Verbindungsstellen. Wenn Blasen erscheinen, haben Sie ein Leck entdeckt, das vor der Inbetriebnahme behoben werden muss.
- Testen Sie die Verbindungsstellen nach der Reparatur erneut.
- Verschließen Sie das Gasventil nach dem Testen.
- Wenn Sie ein Leck festgestellt haben, dass nicht verschlossen werden kann. Versuchen Sie nicht, dieses Leck selber zu verschließen, sondern fragen Sie Ihren Gashändler.

## **Anweisungen zum Anzünden des Grills**

1. Öffnen Sie die Haube des Grills, bevor Sie die Brenner anzünden.
2. Schalten Sie alle Bedienknöpfe im Uhrzeigersinn, auf „OFF/AUS“.
3. Schließen Sie den Druckregler an die Gasflasche. Drehen Sie das Gas am Druckregler auf. Überprüfen Sie mit Seifenwasser die Verbindung zwischen Flasche und Regler auf Gaslecks.
4. Drücken Sie den vorderen linken Drehknopf und drehen Sie ihn gleichzeitig gegen den Uhrzeigersinn auf die „HIGH/HOCH“ Position (ein Klicken ist zu hören), dies zündet den linken Brenner. Sehen Sie nach, ob der Brenner gezündet hat. Falls nicht, wiederholen Sie diesen Vorgang.
5. Wenn der Brenner nach erneutem Versuch nicht gezündet hat, warten Sie 5 Minuten und wiederholen Sie Schritt 4.
6. Stellen Sie die gewünschte Hitze durch Drehen des Knopfes zwischen der High/Low Position ein.
7. Wenn der Brenner nicht gezündet hat. Zünden Sie das Gerät mit einem Zündholz durch das Zündöffnung an der Seite des Gerätes an. Wenden Sie sich an Ihren Händler, um die automatische Zündung zu reparieren.
8. Um die übrigen Brenner nacheinander von links nach rechts anzuzünden, wiederholen Schritt 4. Über den Zündkanal zwischen den Brennern wird jeweils der angrenzende Brenner angezündet. Versuchen Sie niemals, andere Brenner, außer den linken Brenner, zuerst anzuzünden.
9. Um den Grill auszuschalten, drehen Sie das Flaschenventil bzw. Druckregler in die Position „OFF/AUS“ und schalten Sie dann den Drehknopf am Gerät im Uhrzeigersinn ebenfalls in die Position „OFF/AUS“.

## **Anweisung zum Anzünden des Seitenbrenners**

1. Öffnen Sie den Deckel des Seitenbrenners.
2. Drücken Sie Drehknopf des Seitenbrenners und drehen ihn gleichzeitig gegen den Uhrzeigersinn auf die Position „HIGH/HOCH“ Position (ein Klicken ist zu hören), dies zündet den Seitenbrenner. Sehen Sie nach, ob der Brenner gezündet hat. Falls nicht, wiederholen Sie diesen Vorgang.
3. Wenn der Brenner nach erneutem Versuch nicht gezündet hat, warten Sie 5 Minuten und wiederholen Sie Schritt 2.
4. Stellen Sie die gewünschte Hitze durch Drehen des Knopfes zwischen der High/Low Position ein.
5. Wenn der Brenner nicht gezündet hat. Zünden Sie das Gerät mit einem langen Streichholz oder einem langen Gasanzünder. Wenden Sie sich an Ihren Händler, um die automatische Zündung zu reparieren.
6. Um den Seitenbrenner auszuschalten, drehen Sie den Drehknopf im Uhrzeigersinn in die Position „OFF/AUS“. Wenn Sie den kompletten Grill ausschalten möchten, dann drehen Sie das Flaschenventil bzw. den Druckregler in die Position „OFF/AUS“ und schalten Sie dann den Drehknopf am Gerät im Uhrzeigersinn in die Position „OFF/AUS“.

## **Anweisungen zum Grillen (hinterer Brenner)**

1. Öffnen Sie den Deckel des Brenners.
2. Drücken sie die Bedienungstaste und drehen Sie damit gegen den Uhrzeigersinn in die „HI“ Stellung, hiermit wird der Brenner angezündet. Stellen Sie fest, ob der Brenner wirklich brennt. Falls nicht, wiederholen Sie den beschriebenen Vorgang noch einmal.
3. Zündet der Brenner auch bei den nächsten Versuchen nicht an, warten Sie 5 Minuten und wiederholen Sie den Schritt 2 noch einmal.
4. Die Temperatur ist mit dem Drehen des Drehknopfes in die „high“ / „low“-Stellung einzustellen.

5. Wenn der Brenner auch nach wiederholten Versuchen nicht anzündet, zünden Sie den Brenner mit Zündholz oder mit dem langen Anzünder. Für die Reparatur der Zündung ist mit Ihrem Lieferanten Kontakt aufzunehmen.

6. Wenn Sie den hinteren Brenner abschalten möchten, drehen Sie den Drehknopf im Uhrzeigersinn in die „OFF“-Stellung. Wenn Sie den Grill ganz ausschalten möchten, ist die Gaszuführung zu schließen und alle Drehknöpfe in die „OFF“-Stellung zu drehen.

### **WICHTIGER HINWEIS**

**Wenn der Hauptbrenner benutzt wird, darf der Brenner für Motor-Drehspieß nicht benutzt werden.**

**WARNUNG:** Wenn der Brenner nicht zündet, drehen Sie den Drehknopf (im Uhrzeigersinn) und machen Sie das Flaschenventil zu. Warten Sie fünf Minuten, bevor Sie die Zündfolge wiederholen.

Vor der ersten Benutzung sollten Sie den Grill auf der Stufe LOW/NIEDRIG für etwa 15 Minuten mit geschlossenem Deckel aufheizen lassen. Damit werden die inneren Teile mit „Hitze gereinigt“ und unangenehme Gerüche von den lackierten Oberflächen entfernt.

Reinigen Sie den Grill nach jeder Verwendung. Verwenden Sie dazu keine scheuernden oder entflammbareren Reinigungsmittel, da sie die Teile des Produkts angreifen und sich entfachen können. Reinigen Sie den Grill mit warmem Seifenwasser.

**WARNUNG:** Zugängliche Teile können sehr heiß sein. Halten Sie kleine Kinder weg von den heißen Geräteteilen (auch während der Abkühlungsphase!). Es wird empfohlen, Schutzhandschuhe (z.B. Ofenhandschuhe) beim Umgang mit besonders heißen Komponenten zu verwenden.

## REINIGUNG UND PFLEGE

**ACHTUNG:** Alle Reinigungs- und Wartungsarbeiten sollten durchgeführt werden wenn der Grill kalt ist und die Gasversorgung an der Gasflasche abgedreht ist.

### Reinigung

Lassen Sie den Grill nach jedem Gebrauch eine Zeit lang (ca. 15 Minuten) brennen, damit werden Nahrungsmittelreste auf ein Minimum reduziert.

### Außenseite

Benutzen Sie zur Reinigung mildes Spülmittel oder Backpulver und warmes Wasser. Hartnäckige Flecken können mit feinem Scheuermittel entfernt werden, dann mit Wasser abspülen.

### Innenraum Des Grills Unten

Entfernen Sie zunächst mit einem Pinsel, Spachtel und / oder Schwamm die groben Rückstände und spülen dann mit einer Seifenlauge den restlichen Schmutz ab. Mit Wasser abspülen und trocknen lassen.

### Holzoberflächen

Benutzen Sie zum Waschen ein weiches Tuch und warmes Seifenwasser. Mit Wasser abspülen. Verwenden Sie keine Scheuermittel, Entfetter oder konzentrierte Grillreiniger für die Holzteile.

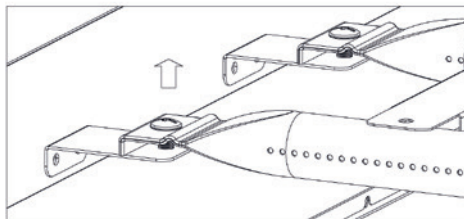
### Grillrost

Verwenden Sie eine milde Seifenlauge. Hartnäckige Flecken können mit feinem Scheuermittel entfernt werden, dann mit Wasser abspülen.

### Reinigung Der Brenneinheit

- Drehen Sie das Gas mit dem Drehknopf ab und trennen Sie die Gasflasche vom Grill.
- Entfernen Sie den Kühlrost.
- Reinigen Sie den Brenner mit einer weichen Bürste oder blasen mit Druckluft die Düsen frei und wischen ihn anschließend mit einem Tuch ab.
- Reinigen Sie verstopfte Düsen mit einem Pfeifenreiniger oder steifen Draht (z.B. einer aufgebogene Büroklammer).

Kontrollieren Sie den Brenner auf Schäden (Risse oder Löcher). Wenn Schäden festgestellt werden, ersetzen Sie ihn durch einen neuen Brenner. Bauen Sie den Brenner wieder ein und überprüfen ihn, um sicherzustellen, dass die Gasöffnungen richtig positioniert sind und er im Inneren des Brenneinlasses (Venturi) gesichert ist.



## WARTUNG

Ihr Gasgrill sollte jährlich von einer zuständigen fachkundigen Person gewartet werden.

## FEHERBEHEBUNG

PROBLEM	MÖGLICHE URSACHE	LÖSUNG
Brenner zündet nicht mit dem Zündsystem	<ol style="list-style-type: none"><li>1. Gasflasche ist leer</li><li>2. Regler ist defekt</li><li>3. Brenner ist verstopft</li><li>4. Gasdüsen oder -schlauch verstopft</li><li>5. Elektrodendraht lose oder von Elektrode oder Zündeinheit getrennt</li><li>6. Elektrode oder Draht beschädigt, Zündmechanismus des Drehreglers ist defekt</li></ol>	<ol style="list-style-type: none"><li>1. Gasflasche gegen volle tauschen</li><li>2. Regler überprüfen oder ersetzen</li><li>3. Brenner reinigen</li><li>4. Düsen und Gasschlauch reinigen</li><li>5. Draht verbinden</li><li>6. Elektrode, Draht und/oder Zündmechanismus tauschen</li></ol>
Brenner lässt sich nicht mit einem Streichholz anzünden	<ol style="list-style-type: none"><li>1. Gasflasche ist leer</li><li>2. Regler ist defekt</li><li>3. Brenner ist verstopft</li><li>4. Gasdüsen oder -schlauch verstopft</li></ol>	<ol style="list-style-type: none"><li>1. Gasflasche gegen volle tauschen</li><li>2. Regler überprüfen oder ersetzen</li><li>3. Brenner reinigen</li><li>4. Düsen und Gasschlauch reinigen</li></ol>
Kleine Flamme oder Flammenrückschlag (Feuer im Brennerrohr, vernehmbares zischendes oder fauchendes Geräusch)	<ol style="list-style-type: none"><li>1. Gasflasche zu klein</li><li>2. Brenner ist verstopft</li><li>3. Gasdüsen oder -schlauch verstopft</li><li>4. Windige Bedingungen</li></ol>	<ol style="list-style-type: none"><li>1. Größere Gasflasche verwenden</li><li>2. Brenner reinigen</li><li>3. Düsen und Gasschlauch reinigen</li><li>4. Stellen Sie den Grill in einem geschützten Bereich auf.</li></ol>

## PFLEGE UND SCHUTZ VON EDELSTAHL- OBERFLÄCHEN

Ihr Grill verfügt über Edelstahl-Komponenten aus rostfreiem Stahl mittlerer Güte. Jede Edelstahl-Güte erfordert ein entsprechendes Maß an Pflege und Schutz, um dessen Aussehen zu konservieren. Nichtrostende Stähle sind nicht immun gegen Korrosion und sie sind auch nicht pflege frei, im Gegensatz zur allgemeinen öffentlichen Meinung. Selbst Sorten mit der höchsten Güte von Edelstahl erfordern häufige Reinigung mit frischem Wasser, um Oxidation und andere korrosive Probleme zu vermeiden.

Nach der Montage empfehlen wir, dass die Eigentümer eine dünne Schicht von Olivenöl mit einem sauberen Lappen, auf alle freiliegenden Edelstahlf lächen auftragen. Danach sollten die Flächen mit einem anderen sauberen Lappen poliert werden, so dass eine nicht-ölige Oberfläche entsteht. Dieser Prozess hilft beim Schutz gegen Schmutz und andere korrosive Verunreinigungen, indem es eine temporäre lebensmittelechte Schutzschicht aufbaut. Die Olivenöl-Schicht erleichtert auch das spätere Polieren und Entfernen von Fingerabdrücken. Dieser Prozess sollte bei der Reinigung Ihres Grills häufig wiederholt werden.

Sie können eine schützende Abdeckung für Ihren Grill kaufen. Es wird empfohlen, eine Abdeckung immer dann zu verwenden, wenn der Grill nicht in Gebrauch ist, um Ihre Investition zu schützen. Allerdings ist es wichtig zu verstehen, die Abdeckung erst dann zu verwenden, wenn der Grill kalt, sauber und trocken ist. Eine vorzeitige Abdeckung des Grills kann sich in der Tat negativ auswirken. Wenn Sie einen warmen, feuchten oder unreinen (oder einen mit einer beliebigen Mischung dieser Faktoren) Grill abdecken, kann dies die Korrosion sogar noch effektiv unterstützen!

Aus diesem Grund sollte der Grill immer kalt sein, von jeglichen Verunreinigungen oder Schmutz gereinigt und gründlich trocken sein, bevor eine Schutzabdeckung angebracht wird. Dies ist besonders wichtig, bevor Sie den Grill für längere Zeit abstellen, resp. wenn der Grill nicht häufig gebraucht wird oder wenn der Grill über die Wintermonate gelagert werden soll.

Um die Qualität der Oberfläche Ihres Edelstahl-Grills zu bewahren, muss der Besitzer die Pflege und Wartung sorgfältig gemäß dieser Anweisung durchführen.

Kümmern Sie sich um Ihren Grill sorgfältig und er wird Ihnen für viele Jahre Freude bereiten.

Die deutsche Version der Anleitung ist eine genaue Übersetzung der Anleitung des Herstellers. Die in diesem Handbuch verwendeten Bilder dienen nur zur Illustration und können nicht genau das Produkt entsprechen.



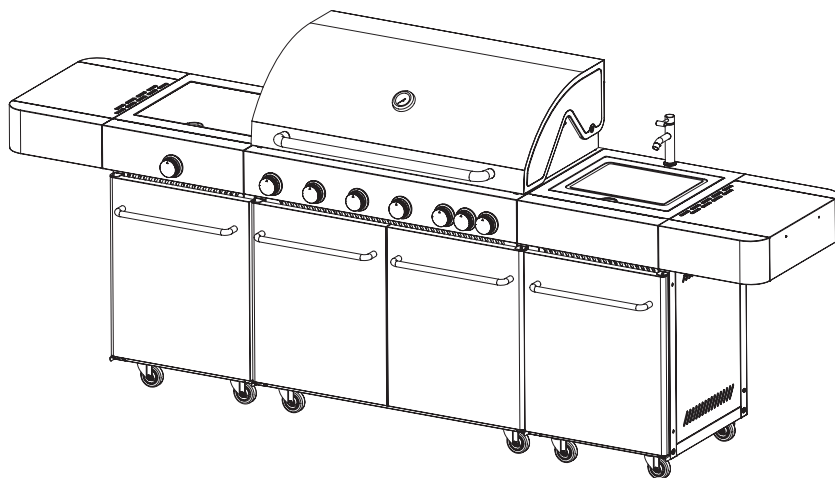
**CZ**

## NÁVOD NA MONTÁŽ PLYNOVÉHO GRILU

Model: Nevada BBQ

PŘI MONTÁŽI GRILU POUŽÍVEJTE POUZE ORIGINÁLNÍ PŘÍSLUŠENSTVÍ, KTERÉ JE SOUČÁSTÍ BALENÍ. POKUD JE NUTNÁ JAKÁKOLIV NÁHRADA, KONTAKTUJTE BUĎ NÁŠ ZÁKAZNICKÝ SERVIS, NEBO SVÉHO MÍSTNÍHO PRODEJCE.

POUŽITÍM NEAUTORIZOVANÝCH DÍLŮ SE VYSTAVUJETE RIZIKU OHROŽENÍ ZDRAVÍ, PŘÍPADNĚ MŮŽE DOJÍT K POŠKOZENÍ VAŠEHO GRILU.



GRIL JE URČEN VÝHRADNĚ PRO VENKOVNÍ POUŽITÍ.

PŘED MONTÁŽÍ GRILU SI DŮKLADNĚ PŘEČTĚTE CELÝ NÁVOD NA SESTAVENÍ.

NÁVOD SI PEČLIVĚ USCHOVEJTE PRO PŘÍPADNÉ BUDOUCÍ POUŽITÍ.

## **VAROVÁNÍ**

### **Při ignorování a nedodržení instrukcí, které jsou uvedeny v návodu, může dojít k nebezpečí požáru nebo výbuchu.**

Povinností spotřebitele je, ujistit se, že gril je správně sestaven a že je správně používán. Při ignorování a nedodržení instrukcí v tomto manuálu může dojít ke zranění osob, případně škodám na majetku.

**Co dělat, pokud při používání grilu ucítíte plyn:**

1. Vypněte přívod plynu na plynové láhvi.
2. Uhasťte veškeré zdroje ohně, které jsou ve vašem okolí, nepoužívejte žádné elektrické přístroje.
3. Větrejte prostory, zajistěte cirkulaci vzduchu.
4. Přečtěte si část JAK ZKONTROLOVAT TĚSNOST v tomto manuálu.
5. Pokud zápach přetrvává, obraťte se ihned na odborníka, nebo na dodavatele či výrobce plynových láhví.

**Bezpečnostní opatření:**

1. Vyzkoušejte těsnost všech spojů při každém připojení tlakové lahve ke grilu.
2. Nikdy nekontrolujte těsnost spojů v blízkosti otevřeného ohně.
3. Gril, ani tlakové lahve neskladujte v blízkosti benzínu nebo jiných hořlavých látek.
4. Neskladujte v blízkosti jakéhokoliv jiného zařízení na tlakové bomby, nebo zařízení, u kterého může dojít k úniku hořlavých látek.

**Montáž:**

**VAROVÁNÍ:** I přes to, že při výrobě grilu byly dodržovány veškeré postupy a bylo dbáno na co nejkvalitnější zpracování, je možné, že některé hrany mohou být ostré, proto doporučujeme při sestavování grilu dbát zvýšené opatrnosti, aby nedošlo k pořezání či jinému zranění.

**Doporučené nářadí:** plochý a křížový šroubovák, kleště, sada klíčů

**Postup montáže:**

Před montáží si pečlivě přečtěte všechny pokyny.

Gril sestavujte na takovém místě, abyste měli dostatek prostoru pro manipulaci s veškerými díly.

V návodu jsou vyobrazeny jednotlivé kroky, jak postupovat při sestavování grilu, společně se seznamem dílů, které jsou součástí balení (jednotlivé součástky si před montáží přezkontrolujte, zda žádná nechybí). Pro montáž grilu jsou zapotřebí minimálně 2 osoby.

**UPOZORNĚNÍ:** Ujistěte se, že jste při montáži odstranili všechny obaly a ochranné prvky, které sloužily pouze k přepravě.

**VAROVÁNÍ:** Během grilování gril nepřemísťujte, ani s ním nijak nemanipulujte.

Pokud gril nepoužíváte, vždy dbejte na to, aby byl přívod plynu z tlakové lahve vypnut.

Gril samovolně neupravujte, ani nevylepšujte.

Minimální vzdálenost od stěn či jiných překážek a grilu je 3m, gril nedoporučujeme používat v těsné blízkosti domů a jiných obytných prostor.

Technické informace:



	Nevada BBQ - gril	Nevada BBQ - plotýnka
Celková tepelná hřejivost: (všechny kategorie plynů)	24 kW (1714 g/h) Každý hořák je dimenzován na 4,0 kW, včetně zadního hořáku. Zadní hořák nesmí být používán ve stejnou dobu jako hořáky grilu.	4 kW (286 g/h), hořáky jsou dimenzovány na 4 kW

Kategorie plynu:	I3+(28-30/37)	I3B/P(30)	
Druhy plynu:	Butan	Propan	Mix plynu propanu a butanu (LPG)
Tlaky plynu:	28 - 30 mbar	37 mbar	30 mbar

Velikost trysek:	Gril: 0,95 mm Postranní tryska: 0,95 mm Infra: 0,95 mm
------------------	--

Identifikační kód:	2575DL0359BT887
--------------------	-----------------

URČENO PRO VENKOVNÍ POUŽITÍ A PRO POUŽITÍ V DOBRĚ VĚTRANÝCH PROSTORECH.

UPOZORNĚNÍ: ČÁSTI GRILU MOHOU BÝT BĚHEM GRILOVÁNÍ A ZEJMÉNA PO GRILOVÁNÍ (CCA 1HOD) VELMI HORKÉ. NENECHÁVEJTE DĚTI POUŽÍVAT GRIL A DRŽTE JE V DOSTATEČNÉ VZDÁLENOSTI, ABY NEDOŠLO K JEJICH POPÁLENÍ.

KDYŽ JE GRIL V PROVOZU TAK JEJ NEPŘEMISŤUJTE.

PO POUŽITÍ GRILU VYPNĚTE PŘÍVOD PLYNU NA PLYNOVÉ BOMBĚ.

PŘÍSTROJ NIJAK NEUPRAVUJTE.

TENTO PŘÍSTROJ NESMÍ BÝT BĚHEM PROVOZU POUŽÍVÁN V PŘÍTOMNOSTI HOŘLAVÝCH MATERIÁLŮ.

PŘED POUŽÍVÁNÍM PŘÍSTROJE SI PŘEČTĚTE NÁVOD K POUŽÍVÁNÍ.

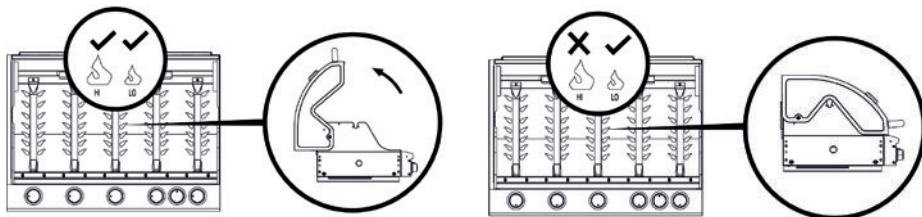
VAROVACÍ ŠTÍTEK POUKAZUJE NA TO, ŽE PLYNOVÁ BOMBA MÁ BÝT PŘI POUŽÍVÁNÍ VENKU, NEMÁ BÝT UVNITŘ GRILU.

Poznámka:

Doporučený rozměr pánve pro grilování na boční plotýnce je 140 – 240 mm.

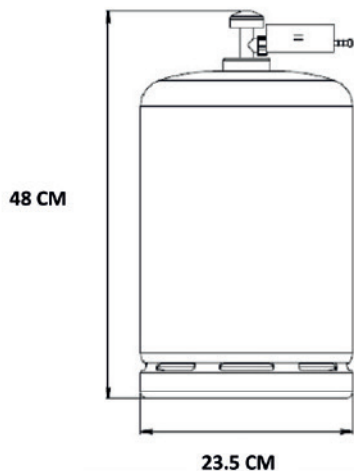
Číslice na tryse označují její rozměr, například „0,95“ na tryse znamená, že rozměr trysky je „0,95 mm“.

## Pozor:



## Důležité:

- Přečtěte si pozorně následující instrukce a ujistěte se, že Váš gril je správně sestaven. Nedodržení postupu stavby grilu může vést ke zranění osob či k poškození grilu.
- Pokud budete mít při stavbě nebo používání grilu jakékoliv dotazy, obraťte se na svého prodejce či přímo výrobce.
- Před grilováním se ujistěte, že gril i tlaková láhev jsou umístěny na rovném povrchu a nemůže tak dojít k převrácení grilu vlivem nerovností povrchu, na kterém gril stojí.
- Nikdy se nepokoušejte zapálit hořáky se zavřeným vrchním krytem. Toto varování platí i pro postranní hořák.
- Gril je možné používat s tlakovými lahvemi o hmotnosti maximálně 15kg.



## Poznámka pro spotřebitele: uchovejte pro pozdější použití

### Připojení tlakové láhve ke grilu

Používání grilu je vhodné pouze pro použití s tlakovými láhvemi s nízkým tlakem butanu, propanu či jejich směsi LPG. Tlakové láhve musí být vybaveny příslušným regulátorem nízkého tlaku. Regulátor tlaku používejte výhradně certifikovaný, dle platné normy EN16129. Hadice by měla být pevně připevněna k regulátoru a přístroji. Pro gril, který je konstruován na I3B/P(30), I3+(28-30/37) použijte regulátor, který je určen pro použití butanu s tlakem 30 mbar a propanu 37 mbar. Pro získání podrobnějších informací týkající se výběru vhodného regulátoru kontaktujte svého prodejce plynu, či tlakových láhví. Plynovou láhev skladujte mimo gril.

### Regulátor a hadice

Používejte výhradně regulátory a hadice, které splňují výše uvedené parametry (tlak, plyn) a jsou schválené příslušnou normou. Životnost regulátoru je odhadována na 2 roky, poté je doporučována výměna. Použití nesprávného regulátoru nebo hadice je nebezpečné. Vždy důkladně zkontrolujte veškeré spoje, zda jsou správně zapojené. Délka hadice musí být maximálně 1,5 m. Opatřebované nebo poškozené hadice musí být neprodleně vyměněny. Vždy se ujistěte, že hadice není ucpaná, zlámaná, nebo zda není v přímém kontaktu s žádnou částí grilu.

### Skladování grilu a tlakové láhve

Tlaková láhev musí být vždy odpojena a vyjmuta z grilovacího zařízení. Gril doporučujeme uskladňovat do originálního obalu, nebo ho minimálně přikrývat plachtou, jelikož je nutné gril skladovat v bezprašném a suchém prostředí.

### Tlaková láhev

Do láhve s plynem je zakázáno kopat, dále je zakázáno s ní cloumat či házet, nebo s ní bouchat o zem. Pokud gril není používán, musí být láhev bezpodmínečně odpojena a uskladněna mimo gril. Na tlakovou láhev ihned po odpojení od grilovacího zařízení nasadte ochranný kryt.

Plynové láhve musí být skladovány venku ve vzpřímené poloze (nikdy ne nalezato!) a mimo dosah dětí. Tlakové láhve nesmí být nikdy uskladňovány v místech, kde teploty mohou dosáhnout více, než 50°C. Neskladujte tlakové láhve v blízkosti ohně, či v místnosti společně s věčným plamínkem, nebo poblíž jiných zdrojů ohně, kde by mohlo dojít ke vznícení. V blízkosti tlakových láhví je zakázáno kouřit.

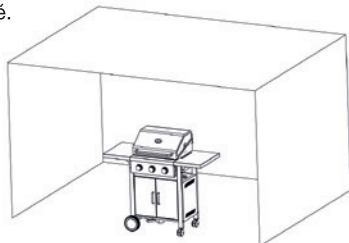
Gril je určen pro použití venku, v dostatečné vzdálenosti od hořlavých materiálů.

**Důležité!** Větrací otvory grilu nesmí být ničím zakrývány, používání grilu je dovoleno minimálně 3 m od zdi domu či jiné stavby (překážky) tak, aby mohl vzduch cirkulovat.

Gril musí stát při používání na rovném podkladu tak, aby byl stabilní. Grilování je zakázáno ve velkém průvanu, vichru a dešti.

Části zapečetěné výrobcem nebo distributorem nesmí být poškozeny uživatelem. Uživatelé nesmí provádět na grilu žádné úpravy či změny. Případné opravy či údržba musí být prováděna pouze registrovaným servisním technikem.

Vzhledem k tomu, že tento gril nemá žádné omezení emisí nespáleného paliva, musí být sestavován a používán venku popřípadě na dostatečně větraném místě.



## Připojení spotřebiče

Před připojením se ujistěte, že veškeré hadice a trubky, které vedou k plynové lahvi, regulátoru a hořáku, neobsahují žádné nežádoucí částičky či úlomky nebo např. mrtvý hmyz. Zanesený hořák může vést k požáru.

Nasaďte hadici a pomocí klíče utáhněte na připojovacím závit. Pokud gril nebude delší dobu používán, odpojte regulátor od láhve (podle pokynů dodávaných s regulátorem).

Gril musí být používán v dobře větraném prostoru tak, aby docházelo k proudění vzduchu. Gril je určen pouze pro grilování venku, velmi dobře větrané pergole nebo altánu.

PŘED POUŽITÍM ZKONTROLUJTE TĚSNOST.

NIKDY NEKONTROLUJTE TĚSNOST V BLÍZKOSTI OTEVŘENÉHO OHNĚ, KE KONTROLE VŽDY POUŽIJTE JAROVOU VODU.

### Jak zkontrolovat těsnost:

- Připravte si vodu s pár kapkami jaru.
- Ujistěte se, že je regulační ventil vypnut „OFF“.
- Připojte regulátor k lahvi a ON/OFF regulační ventil k hořáku, ujistěte se, že je vše správně připevněno, poté pusťte plyn ON.
- Jarovou vodu jemně nalijte na hadici a všechny spáry. Pokud se objeví bubliny, dochází k úniku, což musíte před použitím opravit.
- Po utěsnění znovu použijte jarovou vodu.
- Po skončení testování vypněte přívod plynu.
- Pokud se vám nepodaří odstranit únik, kontaktujte svého prodejce.

## **Pokyny ke grilování**

### **Pokyny ke grilování - hlavní hořák (Platí pro všechny plynové grily)**

1. Než se pokusíte zapálit hořáky, otevřete kryt roštu grilu.
2. Nejprve otočte všechny ovládací knoflíky ve směru hodinových ručiček do polohy „OFF“.
3. Po zkontrolování těsnosti připojte regulátor k plynové láhvi. Zapněte přívod plynu „ON“ na regulátoru a použijte jarovou vodu pro zkontrolování, zda nedochází k úniku plynu.
4. Stlačte přední levý ovládací knoflík a držte stisknutý. Dále pak otáčejte knoflík proti směru hodinových ručiček do polohy „HIGH“ (uslyšíte cvaknutí) a tím by mělo dojít k zapálení hořáku. Zjistěte, zda se hořák zapálil, pokud ne, celý tento proces zopakujte.
5. Pokud se hořák nezapálí ani po dalších pokusech, počkejte 5 minut a znovu opakujte krok č. 4.
6. Nastavte teplotu otočením knoflíku na „high“ / „low“ polohu.
7. Pokud nedojde k zapálení hořáku ani po několika opakovaných pokusech, zkontrolujte, zda máte správně připojenou tlakovou láhev a zda jste správně zapnuli přívod plynu.
8. Chcete-li zapálit zbývající hořáky v pořadí zleva doprava, opakujte krok č. 4. Nikdy se nepokoušejte zapálit ostatní hořáky, pokud nebude zapálený první hořák nalevo, který se zapaluje vždy jako první.
9. Chcete-li manipulovat s grilem, případně chcete-li gril uskladnit, otočte všechny knoflíky do polohy „OFF“ jak na ventilu tlakové lahve, regulátoru, tak i na samotném grilu.

### **Pokyny ke grilování - boční hořák (Platí pouze pro grily vybavené bočním hořákem)**

1. Otevřete kryt bočního hořáku.
2. Stlačte boční ovládací knoflík a držte stisknutý. Dále pak otáčejte knoflík proti směru hodinových ručiček do polohy „HIGH“ (uslyšíte cvaknutí) a tím by mělo dojít k zapálení hořáku. Zjistěte, zda se hořák zapálil, pokud ne, celý tento proces zopakujte.
3. Pokud se hořák nezapálí ani po dalších pokusech, počkejte 5 minut a znovu opakujte krok č. 2.
4. Nastavte teplotu otočením knoflíku na požadovanou polohu.
5. Pokud nedojde k zapálení hořáku, ani po několika opakovaných pokusech, zkontrolujte, zda máte správně připojenou tlakovou láhev a zda jste správně zapnuli přívod plynu.
6. Pokud chcete vypnout boční hořák, otočte ovládacím knoflíkem do pozice OFF. Pokud chcete vypnout celý gril, otočte ventilem na plynové lahvi nebo regulátorem do pozice OFF a poté otočte ovládacím knoflíkem na přístroji po směru hodinových ručiček do pozice OFF.

### **Pokyny ke grilování - zadní hořák (Platí pouze pro grily vybavené zadním hořákem)**

1. Otevřete víko grilu.
2. Stlačte zadní ovládací knoflík a otočte s ním proti směru hodinových ručiček do pozice „HIGH“, takto dojde k zapálení hořáku. Zjistěte, zda byl hořák zapálen. Pokud ne, proces opakujte.
3. Pokud se hořák nezapálí ani po dalších pokusech, počkejte 5 minut a znovu opakujte krok č. 2.
4. Nastavte teplotu otočením knoflíku na požadovanou polohu.
5. Pokud nedojde k zapálení hořáku ani po několika opakovaných pokusech, zapalte hořák sirkami nebo dlouhým zapalovačem. Zkonzultujte opravu zapalování se svým dodavatelem.
6. Pokud chcete zadní hořák vypnout, otočte ovládacím knoflíkem po směru hodinových ručiček do pozice „OFF“. Pokud chcete gril úplně vypnout, odpojte přívod plynu a otočte všechny ovládací knoflíky do pozice „OFF“.

### **DŮLEŽITÉ UPOZORNĚNÍ:**

**Zadní hořák na grilovací jehlu s motorkem nepoužívejte, pokud je používán hlavní hořák.**

**VAROVÁNÍ:** pokud se vám nepodaří zapálit hořák, otočte ovládacím knoflíkem do pozice OFF (po směru hodinových ručiček) a také otočte ventilem na plynové lahvi do pozice OFF. Počkejte 5 minut a poté se pokuste hořák zapálit znovu.

Před prvním grilováním otevřete kryt grilovacího roštu, gril zapalte a nechte 15 minut hořet hořáky s plynem v pozici LOW, dojde tak k ohřátí a „opálení“ povrchové úpravy grilovacího roštu.

Gril čistěte po každém použití, nedojde tak ke znečištění grilovacího roštu připečenými kousky masa nebo omastkem a Vaše maso bude vždy skvěle opečené. Nepoužívejte agresivní nebo hořlavé čisticí prostředky, protože může dojít k poškození části výrobku a může začít hořet. Čistěte pouze teplou vodou s jarem.

**VAROVÁNÍ:** Některé části grilu mohou být velmi horké. Držte mimo dosah dětí v dostatečné vzdálenosti a nenechte děti používat gril (části grilu mohou být horké ještě hodinu po grilování!). Při grilování a čištění grilu doporučujeme používat ochranné rukavice, které jsou odolné při vyšších teplotách a nemůže tak dojít k popálení.



## Čištění a údržba

**UPOZORNĚNÍ:** Veškeré čištění a údržba grilu by měla být prováděna, až když je gril vychladlý a je odpojený od tlakové láhve.

### Čištění

„Vypálení“ grilu po každém použití (přibližně 15 minut) zredukuje zbytky jídla na minimum.

### Vnější povrch

Používejte jar nebo jedlou sodu a teplou vodu. Čisticí prostředky lze použít pouze na ochranné části grilu (kryty, atd.), nikdy ne na grilovací rošt. Po použití čisticího prostředku opláchněte důkladně čistou vodou.

### Spodní část grilu

Zbytky odstraňte za použití kartáče, škrabky nebo čisticí podložky, poté opláchněte jarovou vodou. Opláchněte čistou vodou a nechte uschnout.

### Dřevěné části

Omyjte jemným hadříkem a teplou mýdlovou vodou, poté opláchněte čistou vodou. Nepoužívejte čisticí prostředky, odmašťovač ani jiné silné agresivní čističe na gril, ani jeho dřevěné části.

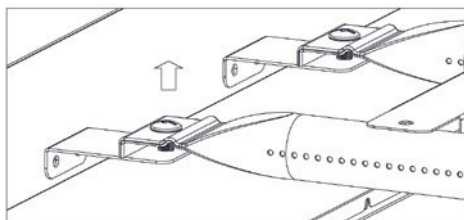
### Grilovací rošt

Použijte pouze vodu s jarem. Zbytky jídla poté seškrábejte jemnou škrabkou nebo kartáčkem a setřete houbičkou či hadříkem.

### Plynový hořák

- Vypněte plyn, do polohy OFF, na ovládacím knoflíku a odpojte tlakovou láhev.
- Odstraňte rošt. Vyčistěte hořák měkkým kartáčem a otřete hadříkem.
- Ucpaná a zanesená místa opatrně vyčistěte pomocí drátu (např. otevřené sponky na papíry) nebo profoukněte vzduchem.
- Pohledem zkontrolujte, zda na sobě nemá hořák nějaké drobné trhlinky či jiná poškození. Pokud ano, neprodleně jej vyměňte za nový. Poškozené hořáky rozhodně nepoužívejte.

Pokud měníte starý hořák za nový, ujistěte se, že jste jej instalovali správně a zda je správně připevněn na vnitřní straně přívodu hořáku a umístěn na plynovém ventilu.



## Servis

Plynový gril by měl být každoročně zkontrolován příslušnou oprávněnou osobou, autorizovaným servisem.

### Řešení potíží

Problém	Možná příčina	Řešení
Hořák se nezapálí pomocí systému zapalování, který je popsán v návodě	<ol style="list-style-type: none"><li>1. Prázdňá plynová láhev</li><li>2. Vadný regulátor</li><li>3. Zanesený, nevyčištěný hořák</li><li>4. Zanesená nebo nevyčištěná plynová tryska nebo hadice</li><li>5. Uvolněné nebo odpojené dráty od elektřiny, které vedou k zapalování</li><li>6. Poškozený knoflík zapalování</li></ol>	<ol style="list-style-type: none"><li>1. Doplnit láhev</li><li>2. Zkontrolovat regulátor, případně vyměnit</li><li>3. Vyčistit hořák</li><li>4. Vyčistit trysky nebo hadice</li><li>5. Zkontrolovat, připojit uvolněné dráty</li><li>6. Vyměnit knoflík zapalování</li></ol>
Hořák se nezapálí ani pomocí zápalky	<ol style="list-style-type: none"><li>1. Prázdňá plynová láhev</li><li>2. Vadný regulátor</li><li>3. Zanesený, nevyčištěný hořák</li><li>4. Zanesená nebo nevyčištěná plynová tryska nebo hadice</li></ol>	<ol style="list-style-type: none"><li>1. Doplnit láhev</li><li>2. Zkontrolovat regulátor, případně vyměnit</li><li>3. Vyčistit hořák</li><li>4. Vyčistit trysky nebo hadice</li></ol>
Nízký plamen, plamen mimo hořák, zvuk syčení	<ol style="list-style-type: none"><li>1. Plynová lahev je příliš malá</li><li>2. Zanesený, nevyčištěný hořák</li><li>3. Zanesená nebo nevyčištěná plynová tryska nebo hadice</li><li>4. Špatné větrné podmínky, grilování v průvanu</li></ol>	<ol style="list-style-type: none"><li>1. Použijte větší, doporučenou plynovou lahev</li><li>2. Vyčistit hořák</li><li>3. Vyčistit trysky nebo hadice</li><li>4. Použijte gril na jiném, větraném, lépe chráněném místě</li></ol>

## Důležité informace

Péče a ochrana o plochu z ušlechtilé oceli

Tento model plynového grilu nabízí řadu přídatných komponentů z kvalitní nerezové oceli.

Nerezová ocel není bezúdržbová tak, jak si většina lidí myslí. Komponenty z nerezů vyžadují zvláštní péči, aby zachovaly svůj vzhled. Komponenty z nerezové oceli vyžadují časté oplachování vodou.

Nerezové komponenty se doporučuje ošetřit olivovým olejem. Olivový olej by měl být nanesen v tenké vrstvě a rozetřen suchým hadrem až úplně do sucha. Tento proces by měl minimalizovat znečištění komponentů.

Na gril je možné dokoupení ochranné plachty, která je doporučována používat pokaždé, když není gril používán. Tuto plachtu dávejte pouze na vychladlý, vyčištěný a suchý gril.

V zájmu zachování kvality grilování a vaření doporučujeme gril udržovat čistý a pečlivě jej uskladňovat, zejména v zimních měsících, když se gril nepoužívá.

Pokud budete o gril dostatečně pečovat, bude Vám sloužit mnoho let.

Česká verze návodu je přesným překladem originálního návodu výrobce.

Fotografie použité v manuálu jsou pouze ilustrační a nemusí se přesně shodovat s výrobkem.

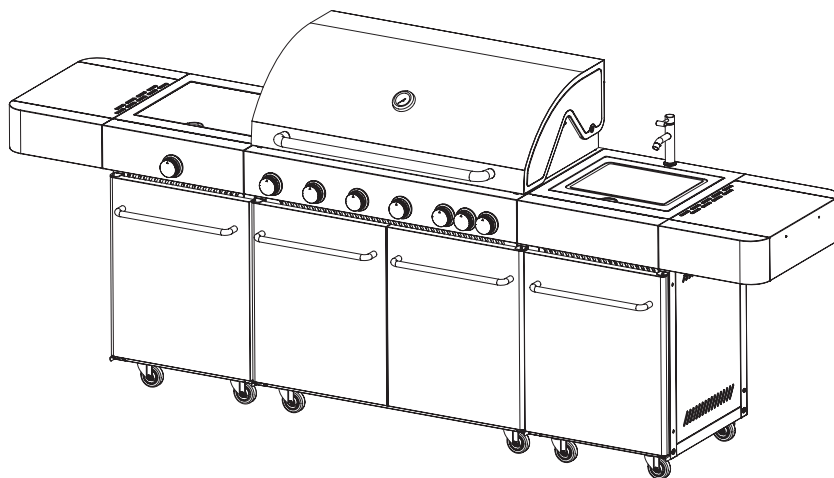
**SK**

## NÁVOD NA MONTÁŽ PLYNOVÉHO GRILU

Model: Nevada BBQ

PRI MONTÁŽI GRILU POUŽÍVAJTE IBA ORIGINALNE PRÍSLUŠENSTVO, KTORÉ JE SÚČASŤOU BALENIA. AK JE NUTNÁ AKÁKOLVEK NÁHRADA, KONTAKTUJTE BUĎ NÁŠ ZÁKAZNÍCKY SERVIS, ALEBO SVOJHO MIESTNEHO PREDAJCU.

POUŽITÍM NEAUTORIZOVANÝCH DIELOV SA VYSTAVUJETE RIZIKU OHROZENIA ZDRAVIA, ALEBO POŠKODENIU VÁŠHO GRILU.



GRIL JE URČENÝ VÝHRADNE PRE VONKAJŠIE POUŽITIE.

PRED MONTÁŽOU GRILU SI DÔKLADNE PREČÍTAJTE CELÝ NÁVOD NA ZOSTAVENIE.

NÁVOD SI STAROSTLIVO USCHOVAJTE PRE PRÍPADNÉ BUDÚCE POUŽITIE.

## **VAROVANIE**

### **V prípade ignorovania alebo nedodržania inštrukcií, ktoré sú uvedené v návode, hrozí nebezpečenstvo požiaru alebo výbuchu.**

Povinnosťou spotrebiteľa je uistiť sa, že gril je správne zostavený a je správne používaný. V prípade ignorovania alebo nedodržania inštrukcií v tomto manuáli môže dôjsť k zraneniu osôb, prípadne škodám na majetku.

**Čo spraviť, ak pri používaní grilu začítate plyn:**

1. Vypnite prívod plynu na plynovej fľaši.
2. Uhasťte všetky zdroje ohňa, ktoré sú vo vašom okolí - nepoužívajte žiadne elektrické prístroje.
3. Vyvetrajte priestory a zaisťte cirkuláciu vzduchu.
4. Prečítajte si časť **AKO SKONTROLOVAŤ TESNOSŤ** v tomto manuáli.
5. Ak zápach pretrváva, obráťte sa ihneď na odborníka alebo na dodávateľa/výrobcu plynových fliaš.

#### **Bezpečnostné opatrenia:**

1. Vyskúšajte tesnosť všetkých spojov pri každom pripojení tlakovej fľaše ku grilu.
2. Nikdy nekontrolujte tesnosť spojov v blízkosti otvoreného ohňa.
3. Gril, ani tlakovú nádobu, neskladujte v blízkosti benzínu alebo iných horľavých látok.
4. Neskladujte v blízkosti akéhokoľvek iného zariadenia na tlakové bomby, alebo zariadenia, u ktorého môže dôjsť k úniku horľavých látok.

#### **Montáž:**

**VAROVANIE:** Napriek tomu, že pri výrobe grilu boli dodržiavané všetky postupy a dbalo sa na čím kvalitnejšie spracovanie, niektoré hrany môžu byť ostré, preto odporúčame pri zostavovaní grilu dbať na zvýšenú opatnosť, aby nedošlo k porezaniu alebo inému zraneniu.

**Odporúčané náradie:** plochý a krížový skrutkovač, kliešte, sada kľúčov.

#### **Postup montáže:**

Pred montážou si pozorne prečítajte všetky pokyny.

Gril zostavujte na mieste, kde máte dostatok priestoru na manipuláciu so všetkými dielmi.

V návode sú zobrazené jednotlivé kroky, ako postupovať pri zostavovaní grilu, spoločne so zoznamom dielov, ktoré sú súčasťou balenia (jednotlivé súčiastky si pred montážou skontrolujte, či nechýba niektorá).

Pre montáž grilu sú potrebné minimálne 2 osoby.

**UPOZORNENIE:** Uistite sa, že ste pred montážou odstránili všetky obaly a ochranné prvky, ktoré slúžili iba na prepravu.

**VAROVANIE:** Počas grilovania gril nepremiestňujte, ani s ním nijako nemanipulujte.

Ak gril nepoužívate, vždy dbajte na to, aby bol prívod plynu z tlakovej fľaše vypnutý.

Gril samovoľne neupravujte, ani nevylepšujte.

Minimálna vzdialenosť od stien či iných prekážok a grilu je 3m, gril neodporúčame používať v tesnej blízkosti domov a iných obytných priestorov.


**Technické informácie:**

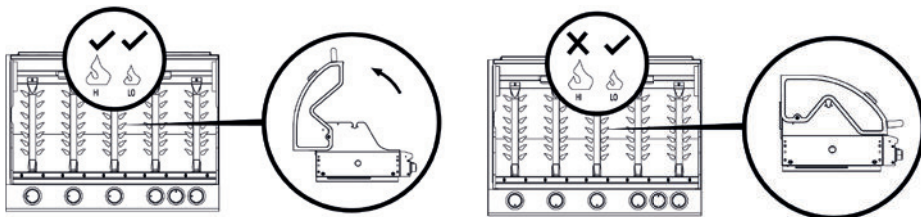
	Nevada BBQ - gril	Nevada BBQ - platnička	
Celková tepelná hrejivosť: (všetky kategórie plynov)	24 kW (1714 g/h) každý horák je dimenzovaný na 4,0 kW, vrátane zadného horáka. Zadný horák nesmie byť používaný v rovnakom čase ako horáky grilu.		4 kW (286 g/h), horáky sú dimenzované na 4 kW.
Kategórie plynu:	I3+(28-30/37)		I3B/P(30)
Druhy plynu:	Bután	Propán	Mix plynu propánu a butánu (LPG)
Tlaky plynu:	28 - 30 mbar	37 mbar	30 mbar
Veľkosť trysiek:	Gril: 0,95 mm Postranná tryska: 0,95 mm Infra: 0,95 mm		
Identifikačný kód:	2575DL0359BT887		
Určené pre vonkajšie použitie a pre použitie v dobre vetraných priestoroch.			
UPOZORNENIE: Časti grilu môžu byť počas grilovania a najmä po grilovaní (cca 1 hod) veľmi horúce. Nenechávajte deti používať gril a držte ich v dostatočnej vzdialenosti, aby nedošlo k ich popáleniu.			
Keď je gril v prevádzke tak ho nepremiestňujte.			
Po použití grilu vypnite prívod plynu na plynovej bombe.			
Prístroj nijako neupravujte.			
Tento prístroj nesmie byť počas používania používaný v prítomnosti horľavých materiálov.			
Pred používaním prístroja si prečítajte návod na používanie.			
Alarmujúci štítok poukazuje na to, že plynová bomba má byť pri používaní vonku, nemá byť vnútri grilu.			

**Poznámka:**

Odporúčaný rozmer panvy pre grilovanie na bočnej platničke je 140 - 240 mm.

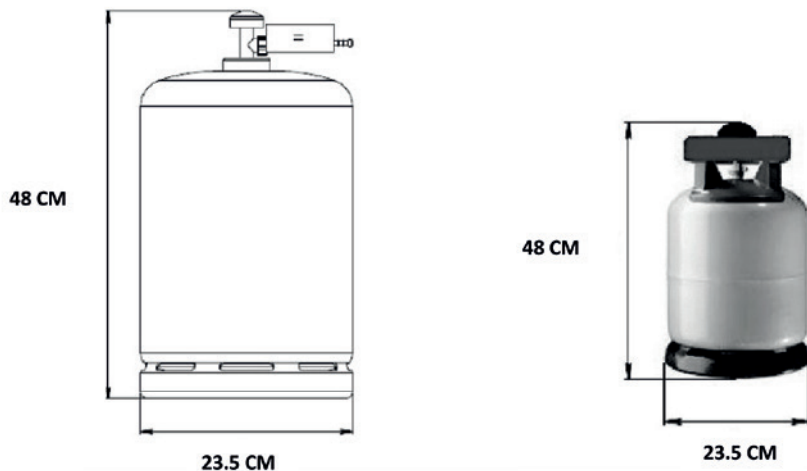
Číslice na tryske označujú jej rozmer, napríklad „0,95“ na tryske znamená, že rozmer trysky je „0,95 mm“.

## Pozor:



## Dôležité:

- Prečítajte si pozorne nasledujúce inštrukcie a uistite sa, že váš gril je správne zostavený. Nedodržanie postupu stavby grilu môže viesť k zraneniu osôb či k poškodeniu grilu.
- Ak budete mať pri stavaní alebo používaní grilu akékoľvek otázky, obráťte sa na svojho predajcu či priamo výrobcu.
- Pred grilovaním sa uistite, že gril a tlaková fľaša sú umiestnené na rovnom povrchu a nemôže dôjsť k prevráteniu grilu vplyvom nerovností povrchu, na ktorom gril stojí.
- Nikdy sa nepokúšajte zapáliť horáky so zatvoreným vrchným krytom. Toto varovanie platí aj pre postranný horák.
- Gril je možné používať s tlakovými fľašami s hmotnosťou maximálne 15kg.



## Poznámka pre spotrebiteľa: uchovajte pre neskoršie použitie

### Pripojenie tlakovej fľaše ku grilu

Používanie grilu je vhodné len pre použitie s tlakovými fľašami s nízkym tlakom butánu, propánu alebo ich zmesi LPG. Tlakové fľaše musia byť vybavené príslušným regulátorom nízkeho tlaku. Regulátor tlaku používajte výhradne certifikovaný, podľa platnej normy EN16129. Hadica by mala byť pevne pripevnená k regulátoru a svorkami prístroja. Pre gril, ktorý je konštruovaný na I3B / P (30), I3 + (28-30 / 37) použite regulátor, ktorý je určený pre použitie butánu s tlakom 30 mbar a propánu 37 mbar. Pre získanie podrobnejších informácií týkajúce sa výberu vhodného regulátora kontaktujte svojho predajcu plynu, či tlakových fľaš. Plynovú fľašu skladujte ďaleko od grilu.

### Regulátor a hadice

Používajte výhradne regulátory a hadice, ktoré spĺňajú vyššie uvedené parametre (tlak, plyn) a sú schválené príslušnou normou. Životnosť regulátora je odhadovaná na 2 roky, potom je odporúčaná výmena. Použitie nesprávneho regulátora alebo hadice je nebezpečné. Vždy dôkladne skontrolujte všetky spoje, či sú správne zapojené. Dĺžka hadice musí byť maximálne 1,5 m. Opatrebované alebo poškodené hadice musia byť okamžite vymenené. Vždy sa uistite, že hadica nie je upchatá, dolámaná, alebo či sa nedotýka žiadnej časti prístroja.

### Skladovanie grilu a tlakovej fľaše

Tlaková fľaša musí byť vždy odpojená a vybratá z grilovacieho zariadenia. Gril odporúčame uskladňovať v originálnom obale, alebo aspoň ho prikrývať plachtou, keďže je nutné ho skladovať v bezprašnom a suchom prostredí.

### Tlaková fľaša

Do fľaše s plynom je zakázané kopať, ďalej je zakázané s ňou mykať či hádzať, alebo s ňou búchať o zem. Ak gril nie je používaný, musí byť fľaša bezpodmienečne odpojená a uskladnená mimo grilu. Na tlakovú fľašu ihneď nasadíte ochranný kryt po odpojení od grilovacieho zariadenia.

Plynové fľaše musia byť skladované vonku vo vzpriamenej polohe (nikdy nie naležato!) A mimo dosahu detí. Tlaková fľaša nesmie byť nikdy uskladňovaná na miestach, kde teploty môžu dosiahnuť viac, než 50 °C. Neskladujte tlakové fľaše v blízkosti ohňa, či v miestnosti spoločne s večným plamienkom, alebo blízko iných zdrojov ohňa, kde môže dôjsť k vznieteniu. V blízkosti tlakových fľaš je zakázané fajčiť.

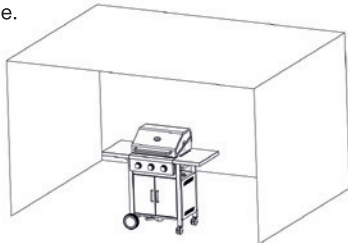
Gril je určený pre použitie vonku, v dostatočnej vzdialenosti od horľavých materiálov.

**Dôležité!** Vetracie otvory grilu nesmú byť ničím zakrývané. Používanie grilu je dovolené minimálne 3 m od steny domu či inej stavby (prekážky), aby mohol vzduch cirkulovať.

Gril musí stáť pri používaní na rovnom podklade tak, aby bol stabilný. Grilovanie je zakázané vo veľkom prievane, víchrici či daždi.

Časti zapečatené výrobcom alebo distribútorom nesmú byť poškodené užívateľom. Užívateľia nesmú vykonávať na grile žiadne úpravy či zmeny. Prípadné opravy či údržba sa vykonáva iba registrovaným servisným technikom.

Vzhľadom na to, že tento gril nemá žiadne obmedzenie emisií nespáleného paliva, sa zostavuje a používaný vonku popri prípade na dostatočne vetranom mieste.





## Pripojenie spotrebiča

Pred pripojením sa uistite, že všetky hadice a rúrky, ktoré vedú k plynovej fľaši, regulátora a horáka, neobsahujú žiadne nežiadúce čistočky či úlomky alebo napr. mŕtvy hmyz. Zanesený horák môže viesť k požiaru.

Nasaďte hadicu a pomocou kľúča utiahnite na pripájacom závit. Ak gril nebude dlhšiu dobu používaný, odpojte regulátor od fľaše (podľa pokynov dodávaných s regulátorom).

Gril musí byť používaný v dobre vetranom priestore. Tak, aby dochádzalo k prúdeniu vzduchu. Gril je určený iba na grilovanie vonku, vo veľmi dobre vetranej pergole alebo altánku.

PRED POUŽITÍM SKONTROLUJTE TESNOSŤ.

NIKDY NEKONTROLUJTE TESNOSŤ V BLÍZKOSTI OTVORENÉHO OHŇA. PRI KONTROLOVANÍ VŽDY POUŽITE JAROVÚ VODU.

### Ako skontrolovať tesnosť:

- Pripravte si vodu s pár kvapkami jari.
- Uistite sa, že regulačný ventil je vypnutý „OFF“.
- Pripojte regulátor k fľaše a regulačný ventil (ON / OFF) k horáku. Uistite sa, či je všetko správne pripevnený, potom pustite plyn (ON).
- Jarovú vodu jemne nalejte na hadicu a na všetky škáry. Ak sa objavia bubliny, dochádza k úniku, čo musíte pred použitím opraviť.
- Po utesnení znovu použite jarovú vodu.
- Po skončení testovania vypnite prívod plynu.
- Ak sa vám nepodarí odstrániť únik, nepokúšajte sa sami únik opravovať, radšej kontaktujte svojho predajcu.

## Pokyny ku grilovaniu

### Pokyny ku grilovaniu - hlavný horák (Platí pre všetky plynové grily)

1. Pred zapálením horákov otvorte kryt roštu grilu.
2. Najprv otočte všetky ovládacie gombíky v smere hodinových ručičiek do polohy „OFF“.
3. Po skontrolovaní tesnosti pripojte regulátor k plynovej fľaši. Zapnite prívod plynu „ON“ a použite Jarovú vodu pre skontrolovanie, či nedochádza k úniku plynu.
4. Stlačte predný ľavý ovládaci gombík a držte ho stlačený. Ďalej otáčajte gombík proti smeru hodinových ručičiek do polohy „HIGH“ (nezačujete cvaknutie) a tým by ste mali zapáliť horák. Zistite, či sa horák zapálil. Ak nie, celý tento proces zopakujte.
5. Ak sa horák nezapáli ani pri ďalších pokusoch, počkajte 5 minút a znova opakujte krok č. 4.
6. Nastavte teplotu otočením gombíka do „high“ / „low“ polohy.
7. Ak nedôjde k zapáleniu horáka ani po niekoľkých opakovaných pokusoch, skontrolujte, či máte správne pripojenú tlakovú fľašu a či ste správne zapli prívod plynu.
8. Ak chcete zapáliť zvyšné horáky v poradí zľava doprava, zopakujte krok č. 4. Nikdy sa nepokúšajte zapáliť ostatné horáky, pokiaľ nebude zapálený prvý horák naľavo, ktorý sa zapaluje vždy ako prvý.
9. Ak chcete manipulovať s grilom, prípadne ak chcete gril uskladniť, otočte všetky gombíky do polohy „OFF“ aj na ventile tlakovej fľaše, na regulátore, aj na samotnom grile.

### Pokyny ku grilovaniu - bočný horák (Platí iba pre grily, vybavené bočným horákom)

1. Otvorte kryt bočného horáka.
2. Stlačte bočný ovládaci gombík a držte ho stlačený. Ďalej otáčajte gombík proti smeru hodinových ručičiek do polohy „HIGH“ (započujete cvaknutie) a tým by malo dôjsť k zapáleniu horáka. Zistite, či sa horák zapálil. Ak nie, celý tento proces zopakujte.
3. Ak sa horák nezapáli ani po ďalších pokusoch, počkajte 5 minút a znova opakujte krok č. 2.
4. Nastavte teplotu otočením gombíka na „high“ / „low“ polohu.
5. Ak nedôjde k zapáleniu horáka ani po niekoľkých opakovaných pokusoch, skontrolujte, či máte správne pripojenú tlakovú fľašu a či ste správne zapli prívod plynu.
6. Ak chcete vypnúť bočný horák, otočte ovládacím gombíkom do pozície OFF. Ak chcete vypnúť celý gril, otočte ventilom na plynovej fľaši alebo regulátorom do pozície OFF a potom otočte ovládacím gombíkom na prístroji v smere hodinových ručičiek do pozície OFF.

### Pokyny ku grilovaniu - zadný horák (Platí iba pre grily, vybavené zadným horákom)

1. Otvorte kryt horáka.
2. Stlačte zadný ovládaci gombík a otočte s ním proti smeru hodinových ručičiek do pozície „HI“, taktó dôjde k zapáleniu horáka. Zistite, či bol horák zapálený. Ak nie, proces zopakujte.
3. Ak sa horák nezapáli ani po ďalších pokusoch, počkajte 5 minút a znova opakujte krok č. 2.
4. Nastavte teplotu otočením gombíka na „high“ / „low“ polohu.
5. Ak nedôjde k zapáleniu horáka ani po niekoľkých opakovaných pokusoch, zapáľte horák zá-palkami alebo dlhým zapalovačom. Skonzultujte opravu zapalovania so svojim dodávateľom.
6. Ak chcete zadný horák vypnúť, otočte ovládacím gombíkom v smere hodinových ručičiek do pozície „OFF“. Ak chcete gril úplne vypnúť, odpojte prívod plynu a otočte všetky ovládacie gombíky do pozície „OFF“.

### DÔLEŽITÉ UPOZORNENIE:

**Zadný horák na grilováciu ihlu s motorčekom nepoužívajte, ak je používaný hlavný horák.**

**VAROVANIE:** ak sa vám nepodarí zapáliť horák, otočte ovládacím gombíkom do pozície OFF (v smere hodinových ručičiek) a tiež otočte ventilom na plynovej fľaši do pozície OFF. Počkajte 5

minút a potom sa pokúste horák znova zapáliť.

Pred prvým grilovaním otvorte kryt grilovacieho roštu, gril zapáľte a nechajte 15 minút horieť horáky s plynom v pozícii LOW, dôjde tak k ohriatiu a k „opáleniu“ povrchovej úpravy grilovacieho roštu.

Gril čistíte po každom použití, vyhnite sa tak znečisteniu grilovacieho roštu pripečenými kúskami mäsa alebo masťou, a Vaše mäso bude vždy skvele opečené. Nepoužívajte agresívne alebo horľavé čistiace prostriedky, pretože môže dôjsť k poškodeniu častí výrobku alebo gril môže začať horieť. Čistíte len teplou vodou s jarou.

**VAROVANIE:** Niektoré časti grilu môžu byť veľmi horúce. Držte mimo dosahu detí v dostatočnej vzdialenosti a nenechajte deti používať gril (časti grilu môžu byť horúce ešte hodinu po grilovaní!). Pri grilovaní a čistení grilu odporúčame používať ochranné rukavice, ktoré sú odolné vyšším teplotám, tak nedôjde k popáleniu.

## Čistenie a údržba

**UPOZORNENIE:** Všetok čistenie a údržba grilu by mala byť vykonávaná, až keď je gril vychladnutý a je odpojený od tlakovej fľaše.

### Čistenie

„Vypálenie“ grilu po každom použití (približne 15 minút) zredukuje zvyšky jedla na minimum.

### Vonkajší povrch

Používajte jemný čistiaci prostriedok alebo jedlú sódu a teplú vodu. Čistiace prostriedky možno použiť len na ochranné časti grilu (kryty, atď.), nie na grilovací rošt. Po použití čistiaceho prostriedku opláchnite dôkladne čistou vodou.

### Interiér spodku grilu

Zvyšky odstráňte kefkou, škrabkou alebo čistiacou podložkou, potom opláchnite mydlovou vodou. Opláchnite čistou vodou a nechajte uschnúť.

### Drevené časti

Umyte jemnou handričkou a teplou mydlovou vodou, potom opláchnite čistou vodou. Nepoužívajte čistiace prostriedky, odmasťovače ani iné silné agresívne čističe prostriedky.

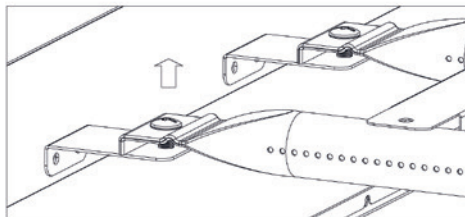
### Grilovací rošt

Použite iba vodu s jarou. Zvyšky jedla potom zoškrabte jemnou škrabkou alebo kefkou, a zotrite hubkou alebo handričkou.

### Plynový horák

- Vypnite plyn do polohy OFF na ovládacom gombíku a odpojte tlakovú fľašu.
- Odstráňte rošt. Vyčistite horák mäkkou kefkou a utrite handričkou.
- Upchaté a zanesené miesta opatrne vyčistite pomocou drôtu (napr. otvorené sponky na papieri) alebo prefúknite vzduchom.
- Pri čistení tiež skontrolujte, či horák nemá na sebe nejaké drobné trhlinky, či iné poškodenia. Ak áno, okamžite ho vymeňte za nový. Poškodené horáky rozhodne nepoužívajte.

Ak meníte starý horák za nový, uistite sa, že ste ho inštalovali správne, a či ste ho správne pripevnili na vnútornú stranu prívodu horáka a umiestnili na plynovom ventilu.



## Servis

Plynový gril by mal byť každoročne skontrolovaný príslušnou oprávnenou osobou alebo autorizovaným servisom.

### Riešenie problémov

Problém	Možná príčina	Riešenie
Horák sa nezapáli pomocou systému zapalovania, ktorý je opísaný v návode	<ol style="list-style-type: none"><li>1. Prázdna plynová fľaša</li><li>2. Chybný regulátor</li><li>3. Zanesený, nevyčistený horák</li><li>4. Zanesená alebo nevyčistená plynová tryska alebo hadica</li><li>5. Uvoľnené alebo odpojené drôty od elektriny, ktoré zapalujú</li><li>6. Poškodený gombík zapalovania</li></ol>	<ol style="list-style-type: none"><li>1. Doplníte fľašu</li><li>2. Skontrolovať regulátor, prípadne vymeniť</li><li>3. Vyčistiť horák</li><li>4. Vyčistiť trysky alebo hadice</li><li>5. Skontrolovať, pripojiť uvoľnené drôty</li><li>6. Vymeniť gombík zapalovania</li></ol>
Horák sa nezapáli ani pomocou zápalky	<ol style="list-style-type: none"><li>1. Prázdna plynová fľaša</li><li>2. Chybný regulátor</li><li>3. Zanesený, nevyčistený horák</li><li>4. Zanesená alebo nevyčistená plynová tryska alebo hadica</li></ol>	<ol style="list-style-type: none"><li>1. Doplníte fľašu</li><li>2. Skontrolovať regulátor, prípadne vymeniť</li><li>3. Vyčistiť horák</li><li>4. Vyčistiť trysky alebo hadice</li></ol>
Nízky plameň, plameň mimo horáka, syčanie	<ol style="list-style-type: none"><li>1. Plynová fľaša je príliš malá</li><li>2. Zanesený, nevyčistený horák</li><li>3. Zanesená alebo nevyčistená plynová tryska alebo hadica</li><li>4. Zlé veterné podmienky, grilovanie v prievane</li></ol>	<ol style="list-style-type: none"><li>1. Použite väčšiu, plynovú fľašu v doporučenej veľkosti</li><li>2. Vyčistiť horák</li><li>3. Vyčistiť trysky alebo hadice</li><li>4. Použite gril na inom, vetranom, lepšie chránenom mieste</li></ol>

## Dôležité informácie

### Starostlivosť a ochrana na plochu z ušľachtilej ocele

Tento model plynového grilu ponúka rad prídavných komponentov z kvalitnej nehrdzavejúcej ocele.

Nerezová oceľ nie je bezúdržbová tak, ako si väčšina ľudí myslí. Komponenty z nerezovej ocele vyžadujú osobitnú starostlivosť, aby zachovali svoj vzhľad. Komponenty z nerezovej ocele vyžadujú časté oplachovanie vodou.

Nerezové komponenty sa odporúča ošetriť olivovým olejom. Olivový olej by mal byť nanesený v tenkej vrstve a rozotrený suchou handrou až úplne do sucha. Tento proces by mal minimalizovať znečistenie komponentov.

Ku grilu je možné dokúpiť ochrannú plachtu, ktorú odporúčame používať zakaždým, keď nie je gril používaný. Túto plachtu dávajte len na vychladnutý, vyčistený a suchý gril.

V záujme zachovania kvality grilovania a varenia odporúčame gril udržiavať čistý a starostlivo uskladňovať, najmä v zimných mesiacoch, keď sa gril nepoužíva.

Ak budete o gril dostatočne starať, bude Vám slúžiť mnoho rokov.

Slovenská verzia návodu je presným prekladom originálneho návodu výrobcu.

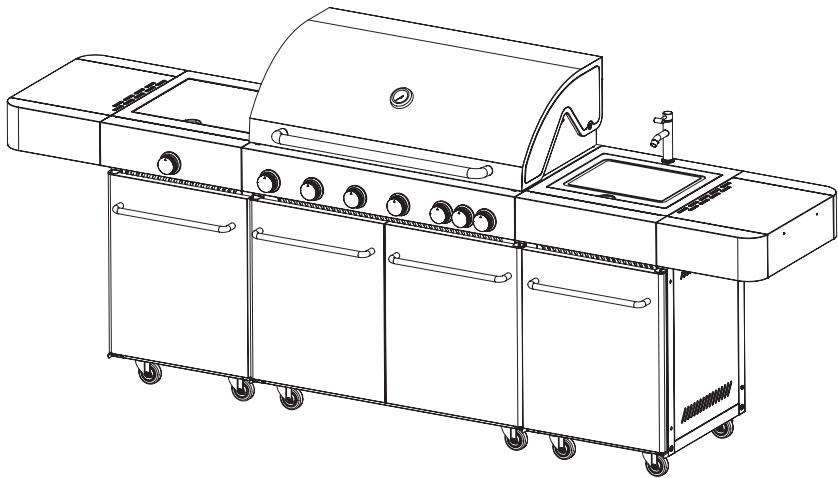
Fotografie použité v návode sú len ilustračné a nemusia sa presne zhodovať s výrobkom.

**HU**

## **ÖSSZESZERELÉSI ÚTMUTATÓ A GÁZGRILLHEZ**

Model: Nevada BBQ

CSAK EREDETI ALKATRÉSZEKET HASZNÁLJON. NE HASZNÁLJON NEM EREDETI, HÁZILAG KÉSZÍTETT TÖMLŐKET, KAPCSOKAT VAGY BÁRMILYEN MÁS ALKATRÉSZT, AMELYEK NEM RÉSZEI AZ EREDETI CSOMAGNAK. A NEM EREDETI ALKATRÉSZEK HASZNÁLATA ÉLETVESZÉLYES LEHET.



A GRILLT KIZÁRÓLAG KÜLTÉRI HASZNÁLATRA TERVEZTÉK.  
AZ ÖSSZESZERELÉS ELŐTT OLVASSA EL AZ UTASÍTÁSOKAT.  
A KÉZIKÖNYVET NE DOJBA KI, MERT A KÉSŐBBIEKBEN MÉG SZÜKSÉG LEHET RÁ.

## FIGYELEM

### **A használati utasítás instrukcióinak figyelmen kívül hagyása akár tűzhöz vagy robbanáshoz vezethet.**

Használat előtt a felhasználó kötelessége ellenőrizni, hogy a grill megfelelően a leírás szerint van e összeszerelve, és hogy alkalmas e a működésre. Az utasítások nem betartása súlyos testi sérülésekhez vagy a vagyontárgy károsodáshoz vezethet.

#### **Gázszivárgás esetén:**

1. Kapcsolja ki a gázellátást.
2. Oltson el minden égőt.
3. Ki kell szellőztetni a helyiséget.
4. Ellenőrizze, hogy nincs e gázszivárgás a kézikönyvben leírt módon.
5. Ha a szag továbbra is érződik, azonnal lépjen kapcsolatba a forgalmazóval vagy a gázszolgáltatóval.

#### **Biztonsági óvintézkedések:**

1. A palack feltöltése után mindig végezzen tömítésvizsgálatot minden csatlakozónál. Ezt a vizsgálatot végezze el úgyszintén minden csatlakoztatásnál és leválasztásnál.
2. Soha ne ellenőrizze a tömítést égő gázcsapoknál vagy azok közelében.
3. A grillt ne tárolja benzin vagy gyúlékony anyag közelében.
4. A használt gázpalackokat ne tárolja a grill vagy bármilyen más nyílt lánggal dolgozó berendezés közelében.

#### **Összeszerelés:**

**Figyelem:** A grill gyártásánál el lettek távolítva az éles élek. Ennek ellenre minden alkatrészszel elővigyázatosan és körültekintően kell bánni, hogy elkerüljük az alkatrészek felsértését, illetve a személyi sérüléseket.

**Ajánlott eszközök:** lapos és csillagszavarhúzó, villáskulcs, fogó.

#### **Az összeszerelés menete:**

Az összeszerelés előtt figyelmesen olvassa el az összes utasítást. Készítsen elő egy megfelelő helyet, ahová felállítja a grillt. A használati útmutatóban megtalálja az alkatrészek listáját és az összeszerelés menetét. Kérjük ellenőrizze, hogy a csomag minden alkatrészt tartalmaz e. A grill összeszereléséhez legalább két ember kell, szükséges az utasítások és az egyes lépések betartása.

**FIGYELEM:** Távolítson el minden csomagolóeszközt és fóliát az összerakás előtt.

**Figyelmeztetés:** Használat közben ne próbálja meg áthelyezni vagy bármilyen más módon elmozdítani.

Ha a grillt nem használja, ellenőrizze, hogy a gázpalackot lecsatlakoztatta a készülékről.

Otthon ne próbálja megjavítani se módosítani.

Használat a faltól legalább 3 méteres távolságban javasolt. Ne használja a ház vagy más épület közvetlen közelében.



Műszaki adatok:



	Nevada BBQ - gril	Nevada BBQ - főzőlap
Összhőteljesítmény (Minden kategóriájú gáz)	24 kW (1714 g/h) Minden égő átlagos értéke 4,0 kW, beleértve a hátsó égőt is. A hátsó égőt nem lehet egy időben használni a többi égővel.	4 kW (256 g/h), minden égőfej 4 kW-ra van dimenzionálva

Gázkategória:	I3+(28-30/37)		I3B/P(30)
A gáz típusa:	Bután	Propán	Propán és bután keverék (LPG)
Gáznyomás:	28 - 30 mbar	37 mbar	30 mbar
Fúvóka mérete	Grill: 0,95 mm Oldalsó fúvóka: 0,95 mm Infra: 0,95 mm		
Azonosító kód:	2575DL0359BT887		

**KÜLTÉRI ÉS JÓL SZELLŐZŐ HELYSÉGEKBEN TÖRTÉNŐ HASZNÁLATRA TERVEZTÉK.**

**FIGYELMEZTETÉS: A GRILL EGYES RÉSZEI NAGYON FORRÓAK LEHETNEK A GRILLEZÉS ALATT, ILLETVE UTÁN (KB. 1 ÓRÁN ÁT). GYEREKEKET MINDIG TARTSA TÁVOL A GRILLTŐL, HOGY ELKERÜLJE AZ ESETLEGES ÉGÉSI SÉRÜLÉSEKET.**

**HASZNÁLAT KÖZBEN NE MOZGASSA A GRILLET.**

**A GRILL HASZNÁLATA UTÁN ZÁRJA EL A GÁZPALACKOT.**

**SEMMLYEN MÓDON NE MÓDOSÍTSA A KÉSZÜLÉKET.**

**A KÉSZÜLÉKET NEM SZABAD HASZNÁLNI TŰZVESZÉLYES ANYAGOK KÖZELÉBEN.**

**KÉRJÜK HASZNÁLAT ELŐTT OLVASSA EL A HASZNÁLATI ÚTMUTATÓT.**

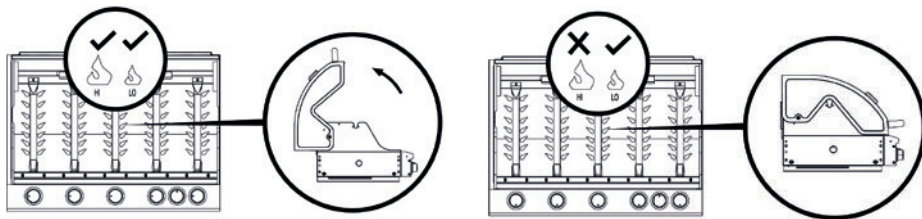
**A FIGYELMEZTETŐ CÍMKE JELZI, HOGY A HASZNÁLATBAN LÉVŐ GÁZPALACKNAK NEM SZABAD A GRILLEN BELÜL LENNIE, MINDIG SZABADON KELL HAGYNI.**

Megjegyzés:

Az ajánlott serpenyőméret az oldalsó égőfejhez 140 – 240 mm.

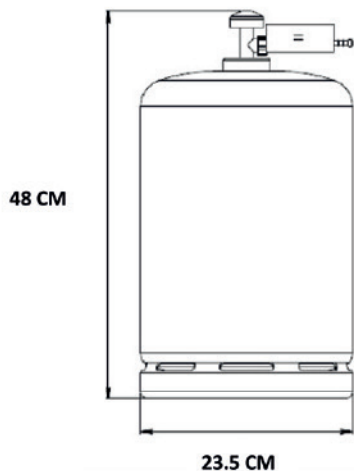
A fúvókán feltüntetett számok a méretét jelzik, pl a „0,95” arra utal, hogy a mérete 0,95 mm.

## Figyelem



### Fontos:

- Kérjük, olvassa el az alábbi utasításokat, és győződjön meg arról, hogy a grill megfelelően van összeszerelve. Az utasítások figyelmen kívül hagyása a grill sérüléséhez vagy működésképtelenségéhez vezethet.
- Ha bármilyen kérdése van a grill összeszerelését vagy működtetését illetően, kérjük forduljon az eladóhoz.
- A grill használata előtt ellenőrizze, hogy a grill egyenes talajon áll és nem fordulhat fel.
- Soha ne próbálja meggyújtani a gázégőket, ha a fedél le van csukva.
- A grillt csak maximum 15kg-os gázpalackkal lehet használni.



## Megjegyzés a fogyasztónak: a használati útmutatót őrizze meg

### A gázpalack csatlakoztatása a készülékhez

A grillt alacsony nyomású propán, bután és LPG-vel lehet használni. Nyomástartó edényeknek rendelkezniük kell alacsony nyomás szabályozóval. A csöveknek kapcsokkal össze kell lenniük kötve a szabályozóval. A szabályzónak rendelkeznie kell a EN16129 normával. A tömlőt csavarok segítségével kell a szabályozóhoz rögzíteni. A grillhez, mely I3B/P(30), I3+(28-30/37) van szabályozva használjon olyan szabályozót, ami 30 mbar és 37 mbar-propán nyomásra van tervezve. Ha tanácsra lenne szüksége forduljon a forgalmazóhoz a gázt, a nyomástartó edényt vagy a többi alkatrészt illetően. A gázpalackot ne tárolja a grill közelében.

### Szabályozó és tömlő

Csak olyan tömlőket és szabályozókat használjon, amelyek megfelelnek a fent említett gáztípusoknak és normáknak. A vezérlő élettartama 2 év, ezután ajánlatos kicserélni.

A tömlő vagy a szabályozó helytelen csatlakoztatása nagyon veszélyes, így használat előtt mindig ellenőrizze a csatlakozást.

A tömlő maximális hossza 1,5 m. Az elhasználódott vagy hibás tömlőket ki kell cserélni. Grillezés előtt ellenőrizze, hogy a cső nincs e eldugulva, eltörve vagy nem érintkezik e a grill valamely részével.

### Tárolás

A nyomástartó edényt mindig le kell választani és el kell távolítani a készüléktől. Ha a grill hosszabb ideig nem lesz használva, ajánljuk visszatenni az eredeti csomagolásba vagy letakarni egy ponyvával. Tárolására alkalmas egy száraz, portalan hely.

### Gázpalack

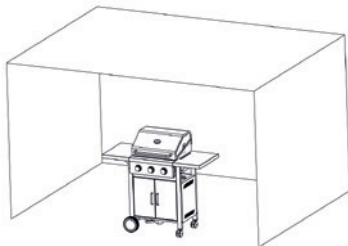
A palackot tilos rugdosni, rázni vagy a földhöz vágni. Ha a grill nincs használatban, a palackot le kell választani. Helyezze vissza a kupakot rögtön a leválasztás után. A gázpalackot a grilltől elkülönítve kell tárolni. A gázpalackokat a szabadban, álló helyzetben, gyermekektől távol kell tartani. A nyomástartó tartályt nem szabad olyan helyen tárolni, ahol a hőmérséklet meghaladja az 50°C-t. Ne tárolja nyílt láng, örökláng, vagy egyéb tűzforrás közelében, ahol fennáll a tűzveszély lehetősége. A gázpalack közelében tilos a dohányzás. A grillt kültéri használatra tervezték, használja gyűlékony anyagoktól távol.

**Fontos!** A grill szellőzőnyílásait semmivel sem szabad eltakarni, a grill használatakor megengedett minimális távolság 3 méter kell, hogy legyen a ház falától vagy bármilyen más épülettől, ezzel biztosítva a levegő szabad áramlását.

Használatkor a grillnek egyenes talajon kell állnia úgy, hogy stabil legyen. A grillezés tilos szeles, ill. esős időben.

A gyártó vagy a disztribútor által lepecsételt alkatrészek nem lehetnek megrongálva a felhasználó által. A felhasználók a grillen nem végezhetnek semmilyen javítást vagy változtatást. Az eseteleges javításokat vagy karbantartást csak olyan személy végezheti, aki a regisztrált gázszerelők Szövetségének a tagja.

Tekintettel arra, hogy a grillnek nem korlátozott a felhasználható üzemanyagra, ezért a szabadban kell használni vagy egy jól szellőző helyen.



## **Készülék csatlakoztatása**

A csatlakoztatás előtt győződjön meg róla, hogy minden tömlő és cső, amely a gázpalackhoz vagy a szabályozható égőkhöz csatlakozik, nem tartalmaz oda nem illő dolgot, szilánkot vagy pl.: elpusztult rovarokat, stb. Az eldugult égő tüzet okozhat.

Helyezze fel a tömlőt a csatlakozó menetre és egy villáskulccsal húzza be. Amennyiben a grillt hosszabb ideig nem használja, húzza ki a szabályozót a palackból (a szabályozóhoz nyújtott utasítások alapján).

A grillt jól szellőző helyen kell használni, hogy a levegő áramoljon. A grill csak szabadtéren használható, jól szellőző pergola vagy lugas alatt.

HASZNÁLAT ELŐTT ELLENŐRIZZE A TÖMÍTETTSÉGET.

SOHA NE VÉGEZZEN TÖMÍTÉSVIZSGÁLATOT NYÍLT LÁNG KÖZELÉBEN. ELLENŐRZÉS  
SORÁN MINDIG SZAPPANOS VIZET HASZNÁLJON.

### **Tömítésvizsgálat**

- Készítsen elő vizet pár csepp mosogatószerrel.
- Győződjön meg róla, hogy a szabályozó szelep ki van kapcsolva „OFF”.
- Kösse össze a vezérlőt a palackkal (ON / OFF) az égőn. Győződjön meg róla, hogy mindent helyesen csatlakoztatott, majd engedje meg a gázt (ON).
- Óvatosan öntse a szappanosított vizet a tömlőre és az összes nyílásra. Abban az esetben, ha buborékok jelennek meg a rendszer szivárog, amit használat előtt ki kell javítania.
- Tömítés után ismétlje meg az eljárást.
- A tesztelés befejeztével kapcsolja ki a gázellátást.
- Amennyiben nem sikerült megszüntetni a szivárgást, ne próbálja meg a készüléket egyedül megjavítani, lépjen kapcsolatba az eladóval vagy a forgalmazóval.

## Útmutató a grillezéshez

### Útmutatás a grillezéshez - Főégő (összes típusú gázgrill)

1. Az égők meggyújtása előtt nyissa ki a grillrács fedelét.
2. Először forgassa el az összes szabályozó gombot az óramutató járásának megfelelően „OFF” helyzetbe.
3. Miután ellenőrizte a tömítéseket csatlakoztassa a szabályozót a gázpalackhoz. Kapcsolja a gázellátást „ON” pozícióba és használjon szappanos vizet az ellenőrzéshez.
4. Nyomja meg a bal első vezérlő gombot és tartsa lenyomva. Ezután fordítsa el a gombot balra „HIGH” pozícióba (amíg nem hall egy kattantást) és az égőt máris begyújtotta. Ellenőrizze, hogy az égő meggyulladt-e. Amennyiben nem, ismételje meg az egész folyamatot előlről.
5. Amennyiben az égő nem gyulladt meg többszöri próbálkozás után sem, várjon 5 percet és próbálja újra a 4-es lépést.
6. Állítsa be a hőmérsékletet a gomb elforgatásával a „high” / „low” pozícióba.
7. Amennyiben az égő továbbra sem gyullad, be ellenőrizze, hogy megfelelően csatlakoztatta-e a palackot, ill. megfelelően kapcsolta be a gázellátást.
8. Amennyiben be szeretné gyújtani a megmaradó égőket, balról jobbra, ismételje meg a 4-es lépést. Soha ne próbálja meg begyújtani a megmaradt égőket addig, amíg nincs begyújtva az első égő a bal oldalon, amely mindig elsőként gyullad meg.
9. Amennyiben át szeretné helyezni készülékét, vagy szeretné eltávolítani azt, fordítsa az összes gombot „off” helyzetbe a gázpalackon, a vezérlőn és magán a grillen is.

### Útmutatás a grillezéshez - Oldalsó égő (csak az oldalsó égővel rendelkező grillekhez)

1. Nyissa fel az oldalsó égő fedelét.
2. Nyomja meg az oldalsó kapcsoló gombot, és tartsa lenyomva. Ezután fordítsa el a gombot balra „HIGH” pozícióba (hall egy kattantást) és az oldalsó égő begyulladt. Ellenőrizze, hogy az égő meggyulladt e. Amennyiben nem, az egész folyamatot kezdje előlről.
3. Amennyiben az égő nem gyulladt meg többszöri próbálkozás után sem, várjon 5 percet és próbálja újra a 2-es lépést.
4. Állítsa be a hőmérsékletet a gomb elforgatásával „high” / „low” pozícióba.
5. Amennyiben az égő továbbra sem gyullad be, ellenőrizze, hogy megfelelően csatlakoztatta-e a palackot, ill. megfelelően kapcsolta be a gázellátást.
6. Ha kiseretné kapcsolni az oldalsó égőt fordítsa el a kapcsoló gombot OFF állásba. Amennyiben ki szeretné kapcsolni az egész grillt, fordítsa el a szelepet a gázpalackon vagy a szabályozón OFF pozícióba, majd fordítsa el a kapcsoló gombot a készüléken jobbra, OFF pozícióba.

### Útmutatás a grillezéshez - Hátsó égő (csak a hátsó égővel rendelkező grillekhez)

1. Nyissa ki az égő fedelét.
2. Nyomja be a hátsó vezérlő gombot, és forgassa az óramutató járásával ellentétes irányba egészen a „HI” pozícióig, így gyullad be az égő. Győződjön meg róla, hogy ég-e az égő. Ha nem, ismételje meg a folyamatot.
3. Ha az égő a további próbálkozások után sem ég, várjon 5 percet, és ismételje meg a 2. Lépést.
4. Állítsa be a kívánt hőmérsékletet a gomb „high”/“low” pozícióba való forgatásával.
5. Ha az égő több próbálkozásra sem gyullad be, gyújtsa meg gyufával, vagy hosszú gyújtóval. Forduljon a forgalmazóhoz a gyújtás javításáért.
6. A hátsó égő kikapcsolásához fordítsa el a gombot az óramutató járásával megegyező irányba az „OFF” állásba. A grill teljes kikapcsolásához válassza le a gázellátást, és forgassa el az összes vezérlőgombot „OFF” állásba.

## **FONTOS FIGYELMEZTETÉS:**

**Ne használja a nyárstűt motorral, ha a fő égőt használja.**

**FIGYELMEZTETÉS:** Amennyiben nem sikerül begyújtania az égőt, fordítsa el vezérlő (kapcsoló) gombot OFF pozícióba (órmutató járásával megegyező irányba) és fordítsa el a gázpalackon lévő szelepet is OFF pozícióba. Várjon 5 percet és próbálja meg újra begyújtani az égőt.

Az első grillezés előtt nyissa fel a grill rost fedelét, gyújtsa be a grillt és hagyja 15 percig égni a gázégőket LOW pozícióban, így felmelegedik majd „megperzselődik“ a grillrost felszíne.

A készüléket minden használat után alaposan tisztítsa meg, így elkerülheti a grillrost szennyeződését, amit a hozzáégett húsdarabok vagy zsírok okozhatnak. Az Ön által süített hús így mindig tökéletes lesz. A tisztításkor ne használjon súroló vagy gyúlékony tisztítószeret, mert károsíthatja a terméket és annak egyes részeit és a grill is elkezdhet égni. A tisztításhoz meleg vizet használjon tisztítószerrel.

**FIGYELMEZTETÉS:** A grill egyes részei nagyon forrók lehetnek. Tartsa távol a gyermekektől és ne engedje, hogy a grillt gyermekek használják (egyes részei a grillnek még egy órával a használat után is forrók lehetnek!). Grillezés és a grill tisztítása közben is ajánlott védőkesztyű viselete, amely ellenáll a magas hőmérsékletnek, így megvédi Önt az égési sérülésektől.

## Tisztítás és karbantartás

**FIGYELEM:** Minden tisztítási és karbantartási munka csak akkor végezhető a készüléken, ha már az kihűlt és le van csatlakoztatva a gázpalack.

### Tisztítás

A grill „átégetése“ minden használat után (körülbelül 15 perc) minimálisan csökkenti az ételmaradék mennyiségét.

### Külső felület

Külső felület tisztításakor használjon enyhe tisztítószerrel vagy szódobikarbónát és meleg vizet. Tisztítószerek csak a grillt védő részeknél használhatók (pl: borítás), a grill rostos nem. A tisztítószer használata után alaposan öblítse le tiszta vízzel.

### Az alsó rész tisztítása

A maradékok eltávolítására kefével, kaparót vagy súrolókefét használjon, majd szappanos vízzel öblítse le. A tisztítás végeztével, tiszta vízzel is öblítsen és hagyja megszáradni.

### Fafelület

A fafelületet puha ronggyal, meleg szappanos vízzel mossa, majd öblítse le tiszta vízzel. Ne használjon tisztítószereket, zsírtalanítókat illetve más agresszív tisztítószereket.

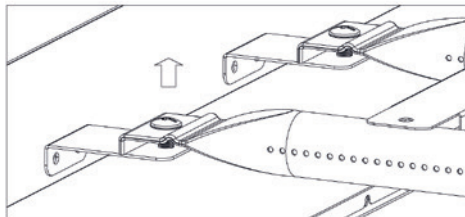
### Grillrost

A tisztításhoz csupán vizet és mosogatószerrel használjon. Az ételmaradékokat gyengéd kaparóval vagy kefével távolítsa el. Végezetül törölje le a rostot szivacs vagy rongy segítségével.

### Gázégő

- Kapcsolja ki a gázt a vezérlő gomb elforgatásával OFF helyzetbe és húzza ki a gázpalackot.
- Távolítsa el a rostot. Tisztítsa meg az égőt puha kefével és törölje le egy ronggyal.
- Az eltömődött helyeket óvatosan tisztítsa meg egy drót segítségével (pl: nyitott gémpapír) vagy fújja át levegővel.
- Tisztítás közben is ellenőrizze, hogy az égőn nem keletkeztek repedések vagy egyéb sérülések. Ha igen, azonnal cserélje ki egy újra. Sérült égőket semmiképp ne használjon.

Ha az égőfejeket cseréli, ügyeljen arra, hogy megfelelően helyezze el a megfelelő helyre. Ellenőrizze, hogy rögzül-e az égőfej belső részéhez és a gázszelvényhez.



## Szerviz

A gázgrillt minden évben ellenőriztetni kell egy szakemberrel, vagy egy erre a célra kijelölt szervizben.

### Hibaelhárítás

Probléma	Lehetséges ok	Megoldás
<b>Az égő nem gyullad meg az útmutatóban leírt módon</b>	<ol style="list-style-type: none"><li>1. Üres gázpalack</li><li>2. Hibás szabályozó</li><li>3. Eltömődött, tisztítatlan égő</li><li>4. Eltömődött, tisztítatlan gáz fúvóka vagy tömlő</li><li>5. A csatlakozó kábel, ami a gyújtásért felel, meglazult vagy nincs áram alatt</li><li>6. A kapcsoló gomb meghibásodott</li></ol>	<ol style="list-style-type: none"><li>1. Töltse fel a kiürült palackot</li><li>2. Ellenőrizze a szabályozót, ha szükséges cserélje ki</li><li>3. Tisztítsa meg az égőt</li><li>4. Tisztítsa meg a fúvókát vagy a tömlőt</li><li>5. Csatlakoztassa vissza a kábelt</li><li>6. Cserélje ki a kapcsoló gombot</li></ol>
<b>Az égő nem gyullad meg gyufa segítségével sem</b>	<ol style="list-style-type: none"><li>1. Üres gázpalack</li><li>2. Hibás szabályozó</li><li>3. Eltömődött, tisztítatlan égő</li><li>4. Eltömődött, tisztítatlan gáz fúvóka vagy tömlő</li></ol>	<ol style="list-style-type: none"><li>1. Töltse fel a palackot</li><li>2. Ellenőrizze a szabályozót, szükség esetén cserélje ki</li><li>3. Tisztítsa meg az égőt</li><li>4. Eltömődött, tisztítatlan gáz fúvóka vagy tömlő</li></ol>
<b>Alacsony láng, láng az égőn kívül, sziszegés</b>	<ol style="list-style-type: none"><li>1. A gázpalack túl kicsi</li><li>2. Eltömődött, tisztítatlan égő</li><li>3. Eltömődött, tisztítatlan gáz fúvóka vagy tömlő</li><li>4. Rossz szélviszonyok, légáramlat</li></ol>	<ol style="list-style-type: none"><li>1. Megfelelő méretű, nagyobb gázpalackot használjon</li><li>2. Tisztítsa meg az égőt</li><li>3. Tisztítsa meg a fúvókát vagy a tömlőt</li><li>4. A grillt szellősebb, ill. jobban védett helyen használja</li></ol>



## Fontos Tudnivalók

A rozsdamentes acélfelületek védelme és ápolása

Ez a típusú gázsütő minőségi rozsdamentes acélból készült komponenseket kínál.

A rozsdamentes acél szintén karbantartást igényel, még ha ezt sokan nem is tudják. A rozsdamentes acélból készült alkatrészek speciális törődést igényelnek, hogy megőrizzék külsejüket. Rozsdamentes acél alkatrészek megkövetelik a gyakori vízzel történő öblítést.

A rozsdamentes acél alkatrészeket ajánlott olivaolajjal tisztítani. Az oliva olajat vékony rétegben vigye fel az alkatrészekre, majd egy száraz ronggyal törölje szárazra. Ez a folyamat minimálisra csökkenti az alkatrészek szennyezettségét.

A grillezőhöz védőponyva is vásárolható, amit mindig ajánlott használni, amikor a grill nincs használatban. A védőponyvát csak kihűlt, megtisztított és száraz grillre helyezték fel.

Annak érdekében, hogy fenntartsák a minőségi sütés élményét, ajánljuk, hogy a grillt tartsák tisztán és gondosan tárolják, főleg a téli hónapokban, amikor a grill nincs használatban.

Amennyiben megfelelően gondját fogja viselni grillezőjének, az sok-sok éven keresztül meghálálja azt.

A magyar használati utasítás a gyártótól kapott verzió pontos fordítása.

A kézikönyvben használt fényképek csak illusztrációk, nem egyeznek meg pontosan a termékkel.

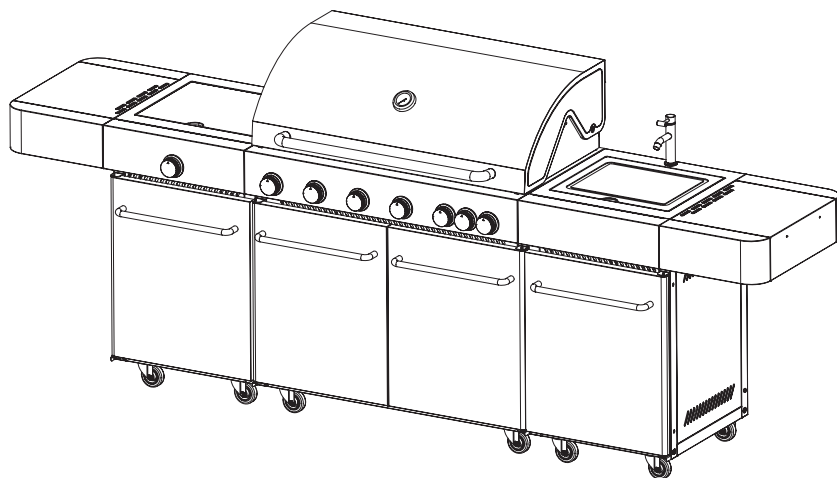
**PL**

## **INSTRUKCJA MONTAŻU GRILLA GAZOWEGO**

Model: Nevada BBQ

PRZY MONTAŻU GRILLA NALEŻY UŻYWAĆ TYLKO ORYGINALNYCH AKCESORIÓW STANOWIĄCYCH ZAWARTOŚĆ OPAKOWANIA. JEŻELI KONIECZNE JEST DOKONANIE ZMIAN, NALEŻY SKONTAKTOWAĆ SIĘ Z NASZYM SERWISEM LUB LOKALNYM SPRZEDAWCĄ.

ZASTOSOWANIE ELEMENTÓW NIEAUTORYZOWANYCH STANOWI ZAGROŻENIE WYPADKOWE, EWENTUALNIE MOŻE TO SPOWODOWAĆ USZKODZENIE GRILLA.



GRILL JEST PRZEZNACZONY DO UŻYTKOWANIA NA ZEWNĄTRZ. PRZED PRZYSTĄPIENIEM DO MONTAŻU GRILLA NALEŻY DOKŁADNIE ZAPOZNAĆ SIĘ Z TREŚCIĄ INSTRUKCJI MONTAŻU. INSTRUKCJE NALEŻY PRZECHOWAĆ W CELU PÓŹNIEJSZEGO JEJ WYKORZYSTANIA.

## **OSTRZEŻENIE**

### **Ignorowanie lub nie stosowanie się do zaleceń zamieszczonych w instrukcji może skutkować powstaniem pożaru lub wybuchem.**

Obowiązkiem użytkownika jest upewnienie się, że grill został prawidłowo zmontowany i że jest prawidłowo eksploatowany. Ignorowanie lub nie stosowanie się do zaleceń zawartych w niniejszej instrukcji może skutkować wypadkiem z udziałem osób lub uszkodzonymi materiałami.

**Co robić, jeżeli w trakcie użytkowania grilla poczujesz gaz:**

1. Zamknąć dopływ gazu na butli gazowej.
2. Zgasić wszystkie źródła ognia, znajdujące się w pobliżu, nie używać żadnych urządzeń elektrycznych.
3. Przewietrzyć pomieszczenia, zapewnić przepływ powietrza.
4. Zapoznać się z informacją zawartą w niniejszej instrukcji **JAK SPRAWDZIĆ SZCZELNOŚĆ**.
5. Jeżeli nadal jest wyczuwalny zapach gazu, należy zwrócić się do specjalisty lub producenta albo producenta butli gazowych.

#### **Środki bezpieczeństwa:**

1. Sprawdzić szczelność wszystkich połączeń przy każdorazowym podłączeniu butli gazowej do grilla.
2. Nigdy nie należy sprawdzać szczelności połączeń w pobliżu otwartego płomienia.
3. Grilla ani butli gazowych nie należy przechowywać w pobliżu benzyny lub innych substancji łatwopalnych.
4. Nie przechowywać w pobliżu dowolnego innego urządzenia zasilanego z butli gazowych lub urządzenia, z którego może dojść do wycieku substancji łatwopalnych.

#### **Montaż:**

**OSTRZEŻENIE:** Mimo, że w trakcie procesu produkcyjnego grilla są stosowane wszelkie procedury i dbałość o jak najlepszą obróbkę, niektóre krawędzie mogą być ostre, dlatego zalecamy zachowanie daleko idącej ostrożności przy składaniu grilla, aby zapobiec okaleczeniom.

**Zalecane narzędzia:** wkrętak płaski i krzyżowy, kleszcze, komplet kluczy

#### **Montaż:**

Przed przystąpieniem do montażu należy dokładnie zapoznać się z treścią instrukcji.

Grill należy montować w miejscu zapewniającym dostęp do manipulacji z wszystkimi elementami.

W instrukcji są pokazane poszczególne etapy, jak należy postępować przy montowaniu grilla, wraz z wykazem elementów stanowiących zawartość opakowania (należy przed przystąpieniem do montażu sprawdzić kompletność wszystkich elementów).

Przy montażu grilla powinny uczestniczyć co najmniej 2 osoby.

**UWAGA:** Należy upewnić się, że przed montażem zostały usunięte wszystkie materiały opakowaniowe i elementy zabezpieczające, służące do zabezpieczenia na czas transportu.

**OSTRZEŻENIE:** Podczas grillowania nie należy grilla przemieszczać, jak również dokonywać innych manipulacji.

Jeżeli grill nie jest użytkowany, należy zamknąć dopływ gazu z butli.

Nie należy dokonywać samowolnie adaptacji grilla.

Minimalna odległość grilla, którą należy zachować od ścian lub innych przeszkód wynosi 3 m, nie zalecamy użytkowania grilla w bezpośrednim pobliżu domów i innych pomieszczeń mieszkalnych.

Informacje techniczne:



	Nevada BBQ - grill	Nevada BBQ - dodatkowy palnik boczny
Całkowita wygrzewność: (wszystkie kategorie gazów)	24 kW (1714 g/h) Każdy palnik ma moc 4,0 kW, łącznie z palnikiem tylnym. Palnik tylny nie może być użytkowany równocześnie z palnikami grilla.	4 kW (286 g/h), palnik główny są obliczone na 4 kW

Kategorie gazu:	I3+(28-30/37)	I3B/P(30)	
Rodzaje gazu:	Butan	Propan	Miks gazu propan i butan (LPG)
Ciśnienie gazu:	28 - 30 mbar	37 mbar	30 mbar
Rozmiar dysz:	Grill: 0,95 mm Dysza boczna: 0,95 mm Infra: 0,95 mm		
Kod identyfikacyjny:	2575DL0359BT887		

URZĄDZENIE PRZEZNACZONE JEST DO UŻYTKOWANIA NA ZEWNĄTRZ POMIESZCZEŃ ZAMKNIĘTYCH I W POMIESZCZENIACH PRAWIDŁOWO WENTYLOWANYCH.

UWAGA: CZĘŚCI GRILLA MOGĄ W TRAKCIE GRILLOWANIA I PO GRILLOWANIU (OKOŁO 1 GODZ.) BYĆ BARDZO GORĄCE. NIE DOPUSZCZAĆ DZIECI DO OBSŁUGIWANIA GRILLA I POZOSTAWANIA W JEGO POBLIŻU, ZAGROŻENIE POPARZENIEM.

W TRAKCIE UŻYTKOWANIA GRILLA NIE WOLNO GO PRZEMIESZCZAĆ.

PO ZAKOŃCZENIU UŻYTKOWANIA GRILLA NALEŻY ZAMKNAĆ DOPŁYW GAZU Z BUTLI GAZOWEJ.

NIE DOKONYWAĆ MODYFIKACJI URZĄDZENIA.

URZĄDZENIE NIE MOŻE W TRAKCIE UŻYTKOWANIA BYĆ UŻYTKOWANE W OBECNOŚCI MATERIAŁÓW PALNYCH.

PRZED PRZYSTĄPIENIEM DO UŻYTKOWANIA NALEŻY ZAPOZNAĆ SIĘ Z TREŚCIĄ INSTRUKCJI OBSŁUGI.

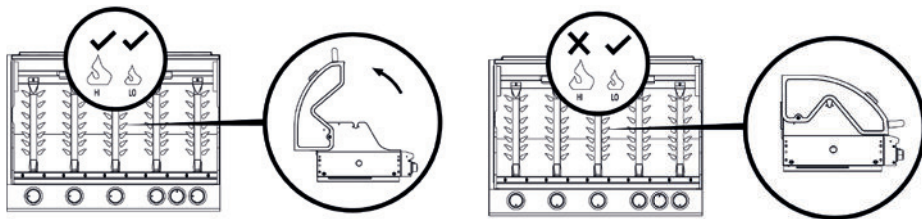
TABLICZKA OSTRZEGAWCZA INFORMUJE, ŻE BUTLA GAZOWA PRZY UŻYWIANIU NA ZEWNĄTRZ NIE MOŻE ZNAJDOWAĆ SIĘ WEWNĄTRZ GRILLA.

Uwaga:

Zalecana wielkość patelni do grillowania na płycie bocznej 140 – 240 mm.

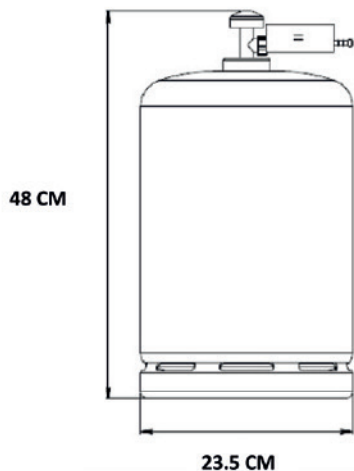
Cyfrы na dyszy oznaczają jej rozmiar, np. „0,95“ na dyszy oznacza, że rozmiar dyszy to „0,95 mm“.

## Uwaga:



## Ważne:

- Należy dokładnie zapoznać się z treścią poniższych zaleceń i upewnić się, że grill został prawidłowo zmontowany. Nie zastosowanie się do procedury montażowej może skutkować wypadkiem z udziałem osób lub prowadzić do uszkodzenia grilla.
- Jeżeli w trakcie montowania lub użytkowania grilla wystąpią wątpliwości natury technicznej, należy zwrócić się do swojego sprzedawcy lub bezpośrednio do producenta.
- Przed przystąpieniem do grillowania należy upewnić się, czy grill i butla gazowa są umieszczone na równej powierzchni i czy nie zachodzi możliwość przewrócenia się grilla ze względu na nierówności terenu, na który grill został ustawiony..
- Nigdy nie należy podejmować próby zapalenia palników, jeżeli zamknięta jest osłona górna. To samo dotyczy palnika bocznego.
- Grill można użytkować stosując butle gazowe o wadze maksimum 15kg.



## **Uwaga dla użytkowników: przechować dla późniejszego wykorzystania.**

### **Podłączenie butli gazowej do grilla**

Do grilla można stosować butle gazowe zawierające gaz o niskim ciśnieniu: butan, propan lub ich mieszaninę LPG. Butle ciśnieniowe muszą być wyposażone we właściwy reduktor niskiego ciśnienia. Należy używać wyłącznie reduktora posiadającego odpowiedni certyfikat, zgodnie z obowiązującą normą EN16129. Przewód gazowy powinien być odpowiednio zamocowany do reduktora i urządzenia. Do grilla, który jest zbudowany na I3B/P(30), I3+(28-30/37) należy użyć reduktora, który jest przeznaczony do butanu o ciśnieniu 30 mbar i propanu 37 mbar. Do grilla zbudowanego na I3B/P(50) użyć reduktora, przeznaczonego do zastosowania butanu, propanu lub ich mieszanin o ciśnieniu 50 mbar. W celu uzyskania szczegółowych informacji dotyczących wyboru reduktora należy zwrócić się do sprzedawcy gazu lub butli gazowych. Butlę gazową należy składować oddzielnie od grilla.

### **Regulator i przewód gazowy**

Należy używać wyłącznie reduktorów i przewodów gazowych spełniających wyżej przywołane parametry (ciśnienie, gaz) i odpowiadają obowiązującej normie. Żywotność reduktora jest określana na dwa lata, po tym okresie użytkowania zalecana jest wymiana.

Korzystanie z niesprawnego reduktora lub przewodu gazowego jest niebezpieczne. Zawsze należy dokładnie sprawdzić wszystkie połączenia pod kątem prawidłowości podłączenia.

Przewód gazowy musi spełniać wymogi normy obowiązującej w danym kraju użytkowania urządzenia.

Długość przewodu musi wynosić maksimum 1,5 m. Zużyte lub uszkodzone przewody należy wymienić. Przed przystąpieniem do grillowania należy sprawdzić przelotowość przewodu, sprawdzić czy nie jest załamany oraz czy nie pozostaje w kontakcie z żadną częścią grilla.

### **Przechowywanie grilla i butli gazowej**

Butla gazowa zawsze musi być odłączona i wyjęta z grilla. Zalecamy przechowywanie grilla w opakowaniu oryginalnym lub pod przykryciem, ponieważ grill należy przechowywać w środowisku wolnym od pyłu i wilgoci.

### **Butla gazowa**

W butlę gazową nie można uderzać, zabronione jest rzucanie butlą lub uderzanie butlą o podłoże. Jeżeli grill nie jest użytkowany, butla musi być bezwarunkowo odłączona i przechowywana poza grillem. Na butlę natychmiast po odłączeniu od grilla należy nałożyć osłonę ochronną.

Butle gazowe muszą być przechowywane na zewnątrz, w pozycji stojącej (nigdy nie w pozycji leżącej!) i poza zasięgiem dzieci. Butle gazowe nie mogą być przechowywane w miejscu, gdzie temperatura może przekroczyć 50°C. Nie wolno przechowywać butli gazowych w pobliżu ognia lub w pomieszczeniu, w którym ciągle pali się stały płomyk lub w pobliżu innych źródeł ognia, gdzie mogłoby dojść do zapłonu. W pobliżu butli gazowych zabronione jest palenie wyrobów tytoniowych.

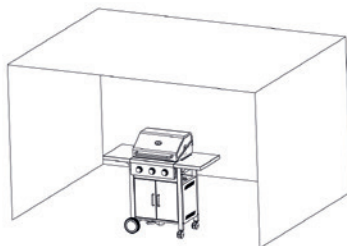
Grill jest przeznaczony do użytkowania na zewnątrz, w prawidłowej odległości od materiałów palnych.

**Ważne!** Otwory wentylacyjne grilla nie mogą być zablokowane, użytkowanie grilla jest dozwolone w odległości minimum 3 m od ściany domu lub innego budynku (przeszkody stałej), aby zapewnić swobodny dopływ powietrza.

Grill należy ustawić na równym podłożu w celu zapewnienia jego stabilności. Zakazane jest grillowanie w miejscu dużego przeciągu, na wietrze i w deszczu.

Części zaplombowane przez producenta lub dystrybutora nie mogą być uszkodzone przez użytkownika. Użytkownicy nie mogą w grillu dokonywać żadnych zmian lub modyfikacji. Ewentualnych napraw lub konserwacji może dokonywać tylko zarejestrowany przez technik serwisu.

Ze względu na to, że grill ten nie jest wyposażony w urządzenia ograniczające emisję nie spalonego paliwa, musi być użytkowany tylko w miejscu o wystarczającej wentylacji.



## Podłączenie urządzenia

Przed podłączeniem należy upewnić się, że wszelkie przewody gumowe i przewody rurkowe prowadzące do butli gazowej, reduktora i palnika nie zawierają niepożądanych ciał obcych np. martwe owady. Zapchany palnik może być powodem wywołania pożaru.

Nasadzić przewód gumowy i używając klucza zamocować na króćcu łącznikowym. Jeżeli grill nie będzie przez okres dłuższy używany, należy odłączyć reduktor od butli (zgodnie z instrukcją dostarczoną wraz z reduktorem).

Grill należy użytkować w dobrze przewietrzanym środowisku, aby zapewniony był przepływ powietrza. Grill jest przeznaczony do użytkowania na zewnątrz, w bardzo dobrze przewietrzanej pergoli lub altanie.

**PRZED URUCHOMIENIEM SPRAWDZIĆ SZCZELNOŚĆ.**

**NIGDY NIE NALEŻY SPRAWDZAĆ SZCZELNOŚCI W POBLIŻU OTWARTEGO PŁOMIENIA,  
DO SPRAWDZANIA UŻYĆ WODY MYDLANEJ.**

### Jak sprawdzić szczelność:

- Przygotować wodę z kilkoma kroplami mydła w płynie.
- Upewnić się, że zawór regulacyjny jest w położeniu „OFF“ (wyłączony).
- Podłączyć reduktor do butli i ON/OFF zawór regulacyjny do palnika, upewnić się, że całość podłączenia jest prawidłowa, następnie puścić gaz ON.
- Wodą mydlaną delikatnie polać przewód gazowy i wszystkie szczeliny. Jeżeli pojawia się pęcherzyki dochodzi do wypływu gazu, nieszczelności muszą zostać usunięte przed przystąpieniem do użytkowania grilla.
- Po uszczelnieniu ponownie użyć do sprawdzenia wody mydlanej.
- Po zakończeniu sprawdzania wyłączyć dopływ gazu.
- Jeżeli nie powiedzie się usuwanie nieszczelności, nigdy nie należy podejmować prób naprawy nieszczelności, należy skontaktować się ze sprzedawcą.

## **Zalecenia dotyczące grillowania**

1. Przed przystąpieniem do zapalenia palników należy otworzyć osłonę rusztu grilla.
2. Najpierw należy obrócić wszystkie pokręta zgodnie z ruchem wskazówek zegara w położenie „OFF“.
3. Po sprawdzeniu szczelności podłączyć reduktor do butli gazowej. Otworzyć dopływ gazu „ON“ na reduktorze i użyć wody mydlanej do sprawdzenia szczelności..
4. Nacisnąć przednie lewe pokrętło i przytrzymać wciśnięte. Następnie należy obracać pokrętłem w kierunku przeciwnym do ruchu wskazówek zegara do położenia „HIGH“ (usłyszysz kliknięcie), powinno nastąpić zapalenie palnika. Sprawdzić, czy palnik zapalił się, jeżeli nie należy powtórzyć całą procedurę.
5. Jeżeli nie dojdzie do zapalenia palnika także w wyniku kolejnych prób, należy odczekać 5 minut i powtórzyć krok nr 4.
6. Ustawić temperaturę obracając pokrętłem do pozycji „high“ / „low“.
7. Jeżeli palnik nie zapalił się nawet po kilku próbach, należy sprawdzić, czy butla gazowa jest prawidłowo podłączona i czy został otwarty dopływ gazu.
8. Jeżeli chcesz zapalić pozostałe palniki w kolejności od strony lewej do prawej należy powtórzyć krok nr 4. Nigdy nie należy podejmować prób zapalenia kolejnych palników, jeżeli nie pali się pierwszy palnik od lewej, który zapala się zawsze jako pierwszy.
9. Jeżeli chcesz dokonać przemieszczenia grilla, ewentualnie jeżeli grill ma zostać schowany, należy obrócić wszystkie pokręta w położenie „OFF“ na zaworze butli gazowej, reduktorze i grillu.

### **Instrukcja grillowania (palnik boczny)**

1. Otworzyć osłonę palnika bocznego.
2. Nacisnąć pokrętło boczne i przytrzymać naciśnięte. Następnie należy obracać pokrętłem w kierunku przeciwnym do ruchu wskazówek zegara do położenia „HIGH“ (usłyszysz kliknięcie) , powinno nastąpić zapalenie palnika. Sprawdzić, czy palnik zapalił się, jeżeli nie należy powtórzyć całą procedurę.
3. Jeżeli nie dojdzie do zapalenia palnika także w wyniku kolejnych prób, należy odczekać 5 minut i powtórzyć krok nr 2.
4. Ustawić temperaturę obracając pokrętłem do pozycji „high“ / „low“.
5. Jeżeli palnik nie zapalił się nawet po kilku próbach, należy sprawdzić, czy butla gazowa jest prawidłowo podłączona i czy został otwarty dopływ gazu.
6. Jeżeli ma zostać wyłączony palnik boczny, należy obrócić pokrętło do pozycji OFF. Jeżeli ma zostać wyłączony cały grill, należy obrócić pokrętło zaworu na butli gazowej lub na reduktorze w położenie OFF a następnie obrócić pokrętło na urządzeniu w kierunku odwrotnym do ruchu wskazówek zegara w położenie OFF.

### **Instrukcja grillowania (palnik tylny)**

1. Otworzyć osłonę palnika.
2. Nacisnąć tylne pokrętło regulacyjne i obrócić w kierunku przeciwnym do ruchu wskazówek zegara w położenie „HI“, nastąpi zapalenie palnika. Sprawdzić, czy palnik zapalił się. Jeżeli nie, powtórzyć całą procedurę.
3. Jeżeli nie nastąpi zapalenie palnika także po kilku kolejnych próbach, odczekać 5 minut i powtórzyć krok nr 2.
4. Uregulować temperaturę obrotem pokręta w położenie „high“ / „low“.
5. Jeżeli nie nastąpi zapalenie palnika także po kilku kolejnych próbach, zapalić palnik używając zapatek lub długiej zapalniczki. Skonsultować ewentualną naprawę zapalania ze swoim dostawcą.
6. Wyłączenie palnika tylnego – przestawić pokrętło wykonując obrót zgodnie z ruchem wskazówek zegara w położenie „OFF“. Aby całkowicie wyłączyć grill, należy wyłączyć dopływ gazu i



przestawić wszystkie pokręta w położenie „OFF“.

**WAŻNA INFORMACJA:**

**Nie korzystaj z palnika różna z silnikiem, jeżeli jest używany palnik główny.**

**Ostrzeżenie:** jeżeli nie powiedzie się zapalenie palnika, należy ustawić pokrętko w położeniu OFF (w kierunku obrotu wskazówek zegara) oraz ustawić pokrętko zaworu na butli gazowej w położeniu OFF. Odczekać 5 minut i ponowić próbę zapalenia palnika.

Przed przystąpieniem do pierwszego użytkowania grilla należy otworzyć osłonę rusztu do grillowania i przez 15 minut pozostawić palące się palniki w położeniu LOW, nastąpi zagranie i „opalenie” powierzchni rusztu do grillowania.

Grill należy czyścić po każdorazowym użytkowaniu, uchroni to ruszt przed przywarciem kawałeczków pieczonego mięsa lub tłuszczu i mięso zawsze będzie dobrze opieczone. Nie stosować agresywnych lub palnych środków do czyszczenia, dlatego że może spowodować to uszkodzenie elementów produktu i spowodować zapalenie się urządzenia. Do czyszczenia stosować tylko ciepłą wodę z mydłem..

**OSTRZEŻENIE:** Niektóre elementy grilla mogą być bardzo rozgrzane. Nie zezwalać dzieciom na przebywanie w bezpośrednim pobliżu grilla, nie pozwalać dzieciom na obsługiwanie grilla (elementy grilla mogą mieć wysoką temperaturę przez godzinę po zakończeniu grillowania). Podczas grillowania i czyszczenia grilla zalecamy używanie rękawic ochronnych, odpornych na działanie wyższej temperatury, zabezpieczających przed oparzeniem.

## Czyszczenie i konserwacja

**UWAGA:** Czyszczenia i konserwacji grilla należy dokonywać po zupełnym wystygnięciu grilla i po odłączeniu grilla od butli gazowej.

### Czyszczenie

„Wypalenie” grilla po każdorazowym użyciu (około 15 minut) zredukuje przywarłe resztki do minimum.

### Powierzchnia zewnętrzna

Używać płyn do mycia naczyń lub sodę spożywczą i ciepłą wodę. Środków czyszczących można używać tylko przy czyszczeniu elementów ochronnych grilla (osłony itp.), nigdy przy czyszczeniu rusztu do grillowania. Po zastosowaniu środka do czyszczenia dokładnie umyć czystą wodą.

### Część dolna grilla

Resztki usuwać za pomocą szczotki, skrobaczki lub nakładki czyszczącej, następnie spłukać wodą z dodatkiem płynu do mycia naczyń. Spłukać czystą wodą i pozostawić do wyschnięcia.

### Elementy drewniane

Umyć używając delikatnej ściereczki i ciepłej wody z dodatkiem płynu do mycia naczyń, następnie spłukać czystą wodą. Nie stosować środków czyszczących, odtłuszczacza i innych środków agresywnie działających na grill lub jego elementy drewniane.

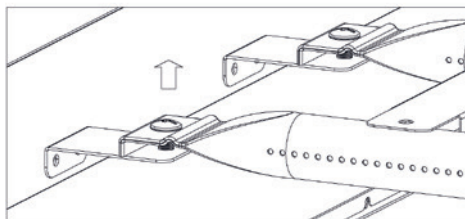
### Ruszt do grillowania

Używać tylko wody z dodatkiem płynu do mycia naczyń. Resztki usuwać za pomocą delikatnej skrobaczki lub szczotki i wytrzeć gąbką lub ścierką.

### Palnik gazowy

- Wyłączyć gaz w położenie OFF na pokrętle i odłączyć butlę gazową.
- Wyjąć ruszt. Oczyszczyć palnik używając miękkiej szczotki i wytrzeć ścierką.
- Zapchane i zanieczyszczone miejsca ostrożnie wyczyścić używając drutu (np. rozgięty spinacz do papieru) lub wydmuchać sprężonym powietrzem.
- Sprawdzić wzrokowo, czy w palniku nie występują drobne pęknięcia lub inne uszkodzenia. Jeżeli tak, natychmiast należy dokonać wymiany palnika. Uszkodzonych palników w żadnym przypadku nie należy używać.

Przy wymianie zużytego palnika na nowy, należy sprawdzić prawidłowość instalacji i czy jest właściwie zamocowany na wewnętrznej stronie zasilania palnika i umieszczony na zaworze gazowym.



## Serwis

Grill gazowy powinien być co roku poddany przeglądowi wykonywanym przez osobę posiadającą odpowiednie uprawnienia lub przez autoryzowany serwis.

### Rozwiązywanie problemów

Problem	Możliwa przyczyna	Rozwiązanie
Palnik nie zapala się za pomocą systemu zapalania, który opisany jest w instrukcji	<ol style="list-style-type: none"><li>1. Pusta butla gazowa</li><li>2. Uszkodzony reduktor</li><li>3. Zanieczyszczony, niewyczyszczony palnik</li><li>4. Zanieczyszczona lub niewyczyszczona dysza lub przewód gazowy</li><li>5. Luźne lub odłączone przewody elektryczne, prowadzące do zapalarki</li><li>6. Uszkodzony przycisk zapalarki</li></ol>	<ol style="list-style-type: none"><li>1. Uzpełnić butlę</li><li>2. Sprawdzić reduktor, ewentualnie wymienić</li><li>3. Wyczyścić palnik</li><li>4. Wyczyścić dysze lub przewód gazowy</li><li>5. Sprawdzić, podłączyć odłączone przewody</li><li>6. Wymienić przycisk zapalarki</li></ol>
Palnika nie można zapalić nawet używając zapalek	<ol style="list-style-type: none"><li>1. Pusta butla gazowa</li><li>2. Uszkodzony reduktor</li><li>3. Zanieczyszczony, niewyczyszczony palnik</li><li>4. Zanieczyszczona lub niewyczyszczona dysza lub przewód gazowy</li></ol>	<ol style="list-style-type: none"><li>1. Uzpełnić butlę</li><li>2. Sprawdzić reduktor, ewentualnie wymienić</li><li>3. Wyczyścić palnik</li><li>4. Wyczyścić dysze lub przewód gazowy</li></ol>
Niski płomień, płomień poza palnikiem, dźwięk syczenia	<ol style="list-style-type: none"><li>1. Butla gazowa o zbyt małej pojemności</li><li>2. Zanieczyszczony, niewyczyszczony palnik</li><li>3. Zanieczyszczona lub niewyczyszczona dysza lub przewód gazowy</li><li>4. Złe warunki atmosferyczne, grillowanie w przeciągu</li></ol>	<ol style="list-style-type: none"><li>1. Użyć większą, zalecaną butlę gazową</li><li>2. Wyczyścić palnik</li><li>3. Wyczyścić dysze lub przewód gazowy</li><li>4. Ustawić grill w innym, przewietrzanym, lepiej osłoniętym miejscu</li></ol>

## Informacje istotne

Pielęgnacja i ochrona powierzchni wykonanych ze stali szlachetnej

Ten model grilla gazowego posiada szereg dodatkowych elementów wykonanych z dobrej stali nierdzewnej.

Stal nierdzewna wbrew temu co sądzi większość ludzi, wymaga odpowiedniej konserwacji. Elementy wykonane ze stali nierdzewnej wymagają szczególnej pielęgnacji, aby nie utraciły swego wyglądu. Elementy ze stali nierdzewnej wymagają częstego splukiwania wodą.

Elementy ze stali nierdzewnej zaleca się pielęgnować stosując oliwę z oliwek. Oliwa z oliwek powinna być nanoszona cienką warstwą i następnie wycierana do sucha za pomocą suchej ściereczki. Proces ten minimalizuje brudzenie się elementów.

Do zabezpieczenia grilla można dodatkowo zakupić plandekę ochronną, z której należy korzystać zawsze, kiedy grill nie jest użytkowany. Plandekę należy zakładać tylko na wystudzony, wyczyszczony i suchy grill.

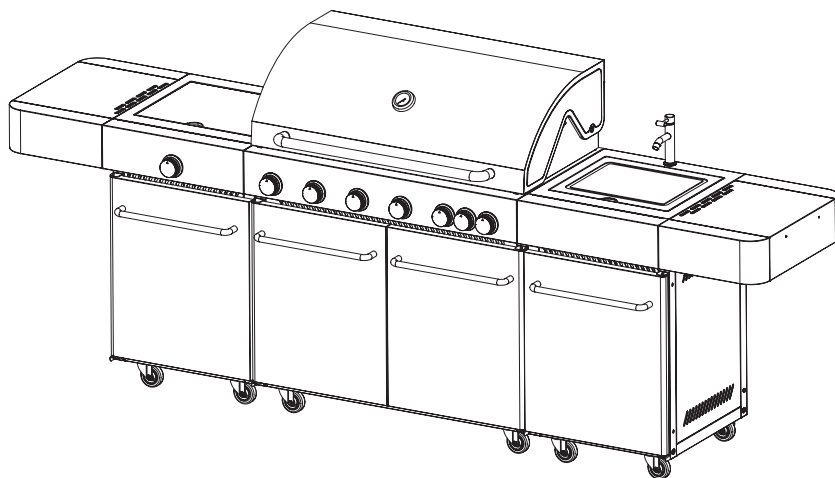
W interesie zachowania jakości grillowania i gotowania, zalecamy utrzymywanie grilla w czystości i starannie go przechowywać zwłaszcza w okresie zimowym, kiedy grill nie jest używany.

Jeżeli zapewnisz grillowi prawidłową pielęgnację, będzie Ci służył przez wiele lat.

## UPUTA ZA MONTAŽU PLINSKOG ROŠTILJA

ZA MONTAŽU ROŠTILJA KORISTITE ISKLJUČIVO ORIGINAL PRATEĆU OPREMU KOJA JE SASTAVNI DIO PAKIRANJA. U SLUČAJU DA VAM JE POTREBAN BILO KOJI REZERVNI DIO, KONTAKTIRAJTE NAŠU PODRŠKU KORISNICIMA ILI SVOG LOKALNOG PRODAVAČA.

UPORABOM NEAUTORIZIRANIH REZERVNIH DIJELOVA IZLAŽETE SE RIZIKU UGROŽENJA ZDRAVLJA, EVENTUALNO MOŽETE OŠTETITI VAŠ ROŠTILJ.



ROŠTILJ JE NAMIJENJEN ISKLJUČIVO ZA VANJSKU UPORABU.  
PRIJE MONTAŽE PAŽLJIVO PROČITAJTE CIJELU UPUTU ZA SASTAVLJANJE.  
UPUTU PAŽLJIVO SAČUVAJTE ZA EVENTUALNU DALJNJU UPORABU.

## UPOZORENJE

### **Nepoštivanje i nepridržavanje se instrukcija navedenih u ovoj uputi može biti uzrok nastanka požara ili eksplozije.**

Dužnost potrošača jeste provjeriti da li je roštilj ispravno sastavljen i da je ispravno rabljen. Nepoštivanje i nepridržavanje se instrukcija navedenih u ovoj uputi može prouzročiti ozljedu osoba, eventualno materijalne štete.

**Što raditi u slučaju da tijekom uporabe roštilja osjetite plin:**

1. Isključite dovod plina na plinskoj boci.
2. Ugasite sve izvore vatre koji se nalazi u Vašoj blizini, ne rabite nikakve električne uređaje.
3. Prozračite prostore, osigurajte cirkulaciju zraka.
4. Pročitajte dio ove upute KAKO PROVJERITI BRTVLJENJE.
5. U slučaju da stalno osjetite plin, odmah se obratite stručnjaku, dobavljaču ili proizvođaču plinskih boca.

**Sigurnosne mjere:**

1. Provjerite brtvljenje svih spojeva uvijek kada uz roštilj priključujete tlačnu bocu.
2. Nikada ne provjeravajte brtvljenje spojeva u blizini otvorenog plamena.
3. Roštilj niti tlačne boce ne čuvajte u blizini benzina ili drugih zapaljivih tvari.
4. Ne čuvajte u blizini bilo kojeg drugog uređaja za tlačne boce ili uređaja kod kojeg može doći do curenja zapaljivih tvari.

**Montaža:**

**UPOZORENJE:** I unatoč tomu da smo se kod proizvodnje roštilja pridržavali svih postupaka i pazili na što kvalitetniju obradu, moguće je da su neki rubovi oštri, stoga kod sastavljanja roštilja preporučujemo povećan oprez kako se ne biste porezali ili ozlijedili.

**Preporučeni alat:** pljosnati i križni odvijač, kliješta, set ključeva.

**Postupak montaže:**

Prije montaže pažljivo pročitajte sve upute.

Roštilj sastavljajte na mjestu gdje imate dovoljno prostora za rukovanje svim dijelovima.

U uputi su prikazani pojedinačni koraci kako postupati kod sastavljanja roštilja, također i lista dijelova koji su sastavni dio pakiranja (prije montaže provjerite da li su Vam na raspolaganju sve komponente). Za montažu roštilja potrebne su minimalno dvije osobe.

**UPOZORENJE:** Provjerite da li ste prije montaže uklonili sve omote i zaštitne elemente koji služe samo za transport.

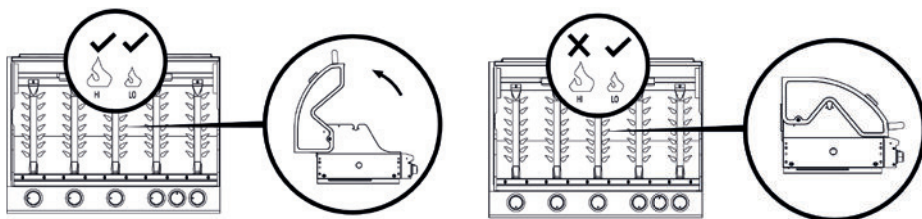
**OPREZ:** Tijekom roštiljanja roštilj ne premiještajte niti njime ne manipulirajte.

Ako roštilj ne koristite, uvijek vodite računa o tome da je dovod plina iz tlačne boce isključen.

Roštilj samovoljno ne prepravljajte niti neuljepšavajte.

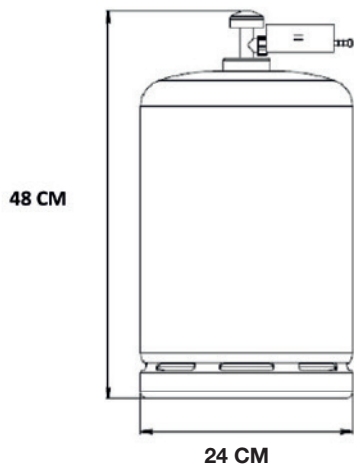
Minimalna udaljenost zidova ili drugih prepreka od roštilja jesu tri metra, roštilj ne preporučujemo koristiti u neposrednoj blizini kuća i drugih stambenih prostora.

## Opres:



## Važno:

- Pažljivo pročitajte sljedeće upute i provjerite da li je Vaš roštilj ispravno sastavljen. Nepoštivanje postupka sastavljanja roštilja može prouzročiti ozljedu osoba ili oštećenje roštilja.
- U slučaju da budete imali bilo kakva pitanja u vezi sa sastavljanjem ili uporabom roštilja, obratite se svom prodavaču ili direktno proizvođaču.
- Prije roštiljanja provjerite da li su roštilj i tlačna boca postavljeni na ravnoj površini te da se roštilj ne može prevrnuti zbog neravne površine na kojoj je postavljen.
- Nikada ne pokušavajte zapaliti plamenike sa zatvorenim gornjim poklopcem. Ovo upozorenje važi i za bočni plamenik.
- Roštilj se može rabiti s tlačnim bocama težine maksimalno 15 kg.



## Priključivanje tlačne boce uz roštilj

Roštilj je primjeren isključivo za uporabu s niskotlačnim bocama butana, propana ili njihove smjese. Tlačne boce moraju biti opremljene prikladnim niskotlačnim regulatorom. Upotrebljavajte isključivo certificirani regulator tlaka prema normi EN16129. Cijev bi trebala biti dobro pričvršćena uz regulator i uređaj. Za roštilj koji je konstruiran za I3B/P(30), I3+(28-30/37) upotrijebite regulator namijenjen za uporabu butana s tlakom 30 mbar i propana 37 mbar. Za više informacija o odabiru odgovarajućeg regulatora posavjetujte se sa svojim prodavačem plina ili plinskih boca. Plinsku bocu čuvajte izvan dohvata roštilja.

## Regulator i cijevi

Upotrebljavajte isključivo regulatore i cijevi koje ispunjavaju gore navedene parametre (tlak, plin) i odobrene su nadležnom normom. Vijek trajanja regulatora procijenjen je na dvije godine, zatim se preporučuje njegova zamjena. Uporaba pogrešnog regulatora ili cijevi opasna je. Uvijek pažljivo provjerite da li su svi spojevi ispravno priključeni. Duljina cijevi smije iznositi najviše 1,5 metra. Istrošene ili oštećene cijevi morate odmah zamijeniti. Uvijek provjerite da cijev nije začepljena, slomljena i da nije u dodiru s bilo kojim drugim dijelom roštilja.

## Čuvanje roštilja i tlačne boce

Tlačnu bocu uvijek morate isključiti i izvaditi iz uređaja. Roštilj preporučujemo pohranjivati u originalnoj ambalaži ili ga barem pokriti plahtom jer je neophodno roštilj čuvati na suhom mjestu bez prašine.

## Tlačna boca

Zabranjeno je udarati u plinsku bocu nogom, drmati bocom, bacati je ili udarati njome o pod. Kada se roštilj ne koristi, boca mora biti isključena i pohranjena izvan dohvata roštilja.

Plinske boce se moraju čuvati u vanjskim prostorima u uspravnom položaju (nikada ne ležeći!) te izvan dohvata djece. Tlačne boce se ne smiju nikada čuvati na mjestima na kojima temperatura može biti veća od 50 °C. Tlačne boce ne čuvajte u blizini vatre, plamena ili drugih izvora vatre gdje bi moglo doći do paljenja. U blizini tlačnih boca zabranjeno je pušiti.

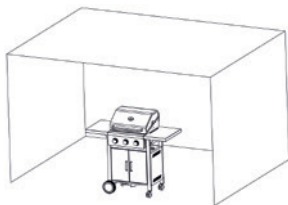
Roštilj je namijenjen za uporabu u vanjskim prostorima, u dovoljnoj udaljenosti od zapaljivih tvari.

**Važno!** Ventilacijski otvori roštilja ne smiju biti ničim prekriveni. Uporaba roštilja dozvoljena je minimalno 3 metra od zida kuće ili druge građevine (prepreke) tako da zrak može cirkulirati.

Kada se roštilj rabi mora stajati na ravnoj površini kako bi bio osiguran njegov stabilitet. Roštiljanje je zabranjeno na velikom propuhu, jakom vjetru i kada pada kiša.

Dijelovi zapečaćeni proizvođačem ili distributerom ne smiju biti oštećeni potrošačem. Potrošačima je zabranjeno provođenje bilo kakvih prepravaka ili promjena na roštilju. Eventualni popravci ili održavanje roštilja može provoditi samo registrirani servisni tehničar.

S obzirom da ovaj roštilj nema nikakva ograničenja emisija nespaljenog goriva mora se sastavljati i upotrebljavati u vanjskim prostorima, eventualno na dovoljno prozračenom mjestu.





### **Priključivanje uređaja**

Prije priključivanja provjerite da sve cijevi koje vode do plinske boce, regulatora i plamenika ne sadrže nikakve nepoželjne čestice ili ulomke, naprimjer mrtve insekte. Prijav plamenik može uzrokovati požar.

Nataknite cijev, a pomoću ključa pritegite na navoju. Ako roštilj ne koristite dulje vremena, odvojite regulator od boce (prema uputi koju ste dobili uz regulator).

Roštilj se mora rabiti u dobro prozračenom prostoru kako bi bilo osigurano strujanje zraka. Roštilj je namijenjen isključivo za roštiljanje u vanjskim prostorima, u veoma dobro prozračenoj pergoli ili vrtnom paviljonu.

PRIJE UPORABE PROVJERITE BRTVLJENJE.

BRTVLJENJE NIKAD NE PROVJERAVAJTE U BLIZINI OTVORENOG PLAMENA, ZA PROVJERAVANJE UVIJEK KORISTITE SAPUNICU.

### **Kako provjeriti brtvljenje:**

- Pripremite vodu s par kapi deterdženta.
- Provjerite da li je regulacijski ventil isključen „OFF“.
- Priključite regulator uz bocu, a ON/OFF regulacijski ventil uz plamenik. Provjerite da je sve ispravno pričvršćeno, zatim pustite plin ON.
- Sapunicu pažljivo nalijte na cijev i sva spojna mjesta. Ako se pojave mjehurići, plin curi, što znači da je potrebno popraviti brtvljenje prije početka uporabe.
- Nakon uklanjanja greške ponovno provjerite brtvljenje sapunicom.
- Nakon testiranja zatvorite dovod plina.
- Ako niste uspjeli ukloniti curenje plina, kontaktirajte svog prodavača.

## Upute za roštiljanje

### Upute za roštiljanje – glavni plamenik (Vrijedi za sve plinske roštilje)

1. Prije nego što zapalite plamenik, otvorite poklopac rešetke roštilja.
2. Prvo okrenite svu dugmad za upravljanje u smjeru okretanja kazaljki na satu u položaj „OFF“.
3. Nakon što provjerite brtvljenje priključite regulator uz plinsku bocu. Uključite dovod plina „ON“ na regulatoru i upotrijebite sapunicu kako biste se uvjerali da plin ne curi.
4. Pritisnite prednje lijevo dugme za upravljanje i držite ga pritisnuto. Zatim dugme okrećite u suprotnom smjeru okretanja kazaljki na satu u položaj „HIGH“ (čut ćete škljoc). Time biste trebali zapaliti plamenik. Provjerite da li se plamenik zapalio. Ako nije, ponovite ovaj cijeli proces još jednom.
5. U slučaju da se plamenik ne zapali ni nakon sljedećih pokušaja, sačekajte pet minuta i ponovno ponovite korak br. 4.
6. Podesite temperaturu okretanjem dugmeta u „high“ / „low“ položaj.
7. U slučaju da se plamenik ne zapali niti nakon nekoliko ponovnih pokušaja, provjerite da li je tlačna boca ispravno priključena i da li ste ispravno uključili dovod plina.
8. Želite li zapaliti ostale plamenika u redosljedu s lijeve strane u desnu, ponovite korak br. 4. Nikada ne pokušavajte zapaliti ostale plamenike dok ne gori prvi plamenik s lijeve strane koji se pali uvijek kao prvi.
9. Želite li rukovati roštiljem, eventualno ako želite roštilj pohraniti, okrenite svu dugmad u položaj „OFF“ - na ventilu tlačne boce, na regulatoru i na samom roštilju.

### Upute za roštiljanje - bočni plamenik (Vrijedi samo za roštilje koji imaju bočni plamenik)

1. Otvorite poklopac bočnog plamenika.
2. Pritisnite bočno dugme za upravljanje i držite ga pritisnuto. Zatim dugme okrećite u suprotnom smjeru okretanja kazaljki na satu u položaj „HIGH“ (čut ćete škljoc). Time biste trebali zapaliti plamenik. Provjerite da li se plamenik zapalio. Ako nije, ponovite ovaj cijeli proces još jednom.
3. U slučaju da se plamenik ne zapali ni nakon sljedećih pokušaja, sačekajte pet minuta i ponovno ponovite korak br. 2.
4. Podesite temperaturu okretanjem dugmeta u željeni položaj.
5. U slučaju da se plamenik ne zapali niti nakon nekoliko ponovnih pokušaja, provjerite da li je tlačna boca ispravno priključena i da li ste ispravno uključili dovod plina.
6. Ako želite isključiti bočni plamenik, okrenite dugme za upravljanje u položaj OFF. Ako želite isključiti cijeli roštilj okrenite ventil na plinskoj boci ili regulator u položaj OFF, a zatim okrenite dugme za upravljanje na uređaju u smjeru okretanja kazaljki na satu u položaj OFF.

### Upute za roštiljanje – stražnji plamenik (Vrijedi samo za roštilje koji imaju stražnji plamenik)

1. Otvorite poklopac roštilja.
2. Pritisnite stražnje dugme za upravljanje i okrećite ga u suprotnom smjeru okretanja kazaljki na satu u položaj „HIGH“, time biste trebali zapaliti plamenik. Provjerite da li se plamenik zapalio. Ako nije, ponovite ovaj proces još jednom.
3. U slučaju da se plamenik ne zapali ni nakon sljedećih pokušaja, sačekajte pet minuta i ponovno ponovite korak br. 2.
4. Podesite temperaturu okretanjem dugmeta u željeni položaj.
5. U slučaju da se plamenik ne zapali niti nakon nekoliko ponovnih pokušaja, zapalite ga šibicom ili dugačkim upaljačem. Posavjetujte se o popravku paljenja sa svojim dobavljačem.
6. Ako želite isključiti stražnji plamenik, okrenite dugme za upravljanje u smjeru okretanja kazaljki na satu u položaj „OFF“. Ako želite isključiti roštilj u potpunosti, isključite dovod plina i okrenite svu dugmad za upravljanje u položaj „OFF“.

## **VAŽNO UPOZORENJE:**

**Dok koristite glavni plamenik, nemojte koristiti plamenik za ražanj s motorom.**

**UPOZORENJE:** u slučaju da ne uspijete zapaliti plamenik, okrenite dugme za upravljanje u položaj OFF (u smjeru okretanja kazaljki na satu) i također okrenite ventil na plinskoj boci u položaj OFF. Sačekajte pet minuta i pokušajte ponovno zapaliti plamenik.

Prije prvog roštiljanja otvorite poklopac rešetke roštilja, zapalite roštilj i ostavite plamenike s plinom da gore 15 minuta u položaju LOW. Tako će se zagrijati i „preplanuti“ površinska obrada roštilja.

Roštilj čistite nakon svake uporabe, spriječit ćete uprljanje roštilja ostacima komadića mesa ili masnoće, a Vaše će meso biti uvijek izvrsno ispečeno. Nemojte upotrebljavati agresivna ili zapaljiva sredstva za čišćenje jer mogu oštetiti dijelove uređaja te se može zapaliti. Čistite samo toplom vodom i sapunicom.

**UPOZORENJE:** Neki dijelovi roštilja mogu biti veoma vrući. Čuvajte izvan dohvata djece u dovoljnoj udaljenosti i zabranite djeci koristiti roštilj (neki dijelovi roštilja mogu biti vrući još sat vremena nakon roštiljanja!). Za vrijeme roštiljanja i čišćenja roštilja preporučujemo koristiti zaštitne rukavice koje su otporne na visokoj temperaturi tako da se ne možete opeći.

## Čišćenje i održavanje

**UPOZORENJE:** Roštilj biste trebali čistiti i održavati samo kada je hladan te kada je isključen od tlačne boce.

### Čišćenje

Nakon svake uporabe ostavite roštilj da gori još otprilike 15 minuta. Na taj ćete način smanjiti količinu ostataka hrane na minimum.

### Vanjska površina

Upotrebjavajte blagi deterdžent ili sodu bikarbonu s toplom vodom. Sredstva za čišćenje možete upotrijebiti samo za zaštitne dijelove roštilja (poklopce i sl.). Nemojte upotrebjavati abrazivna sredstva, spužve ili žicu za pranje suđa. Poslije uporabe sredstva za čišćenje temeljito saperite vodom.

### Donji dio roštilja

Ostatke uklonite četkom, strugalicom ili jastučićem za čišćenje, zatim saperite sapunicom. Isplahnite čistom vodom i ostavite da se osuši.

### Drveni dijelovi

Obrišite krpicom i toplom vodom sa sapunicom, zatim saperite čistom vodom. Ne upotrebjavajte sredstva za čišćenje, odmašćivanje niti druga agresivna sredstva za čišćenje roštilja niti njegovih drvenih dijelova.

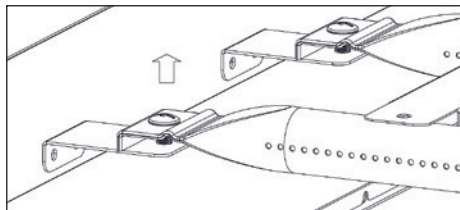
### Rešetka roštilja

Upotrebjavajte samo vodu sa sapunicom. Ostatke prehrane zatim sastružite strugalicom ili četkom i obrišite spužvom ili krpicom.

### Plinski plamenik

- Ugasite plin okretom dugmeta za upravljanje u položaj OFF i isključite tlačnu bocu.
- Uklonite rešetku. Očistite plamenik mekanom četkom i obrišite krpicom.
- Začepljena i prljava mjesta pažljivo očistite žicom (naprimjer rastvorenom spajalicom za papir) ili ispušite zrakom.
- Pogledom provjerite postoje li neke male pukotine ili druga oštećenja na plameniku. Ako utvrdite oštećenja, plamenik morate odmah zamijeniti novim. Oštećene plamenike nemojte u nikakvom slučaju koristiti.

Ako mijenjate stari plamenik za novi provjerite da li je pravilno namješten i ispravno pričvršćen na unutarnjoj strani dovoda plamenika i da li je smješten na plinskom ventilu.



## **Bitne informacije**

### **Njega i zaštita površine od plemenitog čelika**

Nehrđajući čelik mora se također održavati. Dijelovi od nehrđajućeg čelika zahtijevaju posebnu brigu kako bi sačuvali svoj izgled. Potrebno ih je često sapirati vodom.

Dijelove od nehrđajućeg čelika preporučuje se održavati maslinovim uljem. Maslinovo ulje biste trebali nanositi u tankim slojevima i razmazati suhom krpom dok se potpuno ne osuši. Ovaj proces bi trebao minimalizirati onečišćivanje dijelova roštilja.

Za pokrivanje roštilja moguće je kupiti zaštitnu platu koju se preporučuje koristiti uvijek kada roštilj ne upotrebljavate. Ovom platom pokrivajte samo ohlađen, očišćen i suhi roštilj.

Kako biste održali kvalitet roštiljanja i kuhanja preporučujemo Vam održavati roštilj čist i pažljivo ga pohraniti, naročito tijekom zime kada se ne koristi.

Ako se budete o roštilju dovoljno brinuli, služit će Vam mnogo godina.

Tehničke informacije:



	Nevada BBQ - Roštilj	Nevada BBQ - Ploča
Cjelokupna toplinska snaga: (SVE KATEGORIJE)	24 kW (1714 g/h) Svaki plamenik je dimenzioniran za 4,0 kW, uključujući stražnji plamenik. Stražnji plamenik ne smije se upotrebljavati istodobno sa plamenicima roštilja.	4 kW (286 g/h), plamenici su dimenzionirani za 4 kW

Kategorije plina:	I3+(28-30/37)	I3B/P(30)	
Vrste plina:	Butan	Propan	Smjesa plina propana i butana (LPG)
Tlak plina:	28 - 30 mbar	37 mbar	30 mbar
Veličina sapnica:	Roštilj: 0,95 mm Bočna sapnica: 0,95 mm Infra: 0,95 mm		
Identifikacijski kod:	2575DL0359BT887		

**NAMIJENJENO ZA VANJSKU UPORABU I ZA UPORABU U DOBRO PROZRAČENIM PROSTORIMA.**

**UPOZORENJE: DIJELOVI ROŠTILJA MOGU BITI TIJEKOM ROŠTILJANJA I NAKON NJEGA (OTPRILIKE JEDAN SAT) VEOMA VRUĆI. ZABRANITE DJECI KORISTITI ROŠTILJ I DRŽITE GA IZVAN DOHVATA DJECE KAKO SE NE BI OPEKLI.**

**TIJEKOM UPORABE NE PREMIJEŠTAJTE ROŠTILJ.**

**NAKON UPORABE ROŠTILJA ISKLJUČITE DOVOD PLINA NA PLINSKOJ BOCI.**

**UREĐAJ NEMOJTE NIKAKO PREPRAVLJATI.**

**OVAJ UREĐAJ NE SMIJE BITI TIJEKOM UPORABE KORIŠTEN U PRISUTNOSTI ZAPALJIVIH TVARI.**

**PRIJE UPORABE UREĐAJA PAŽLJIVO PROČITAJTE UPUTU ZA UPORABU.**

**GEDULJICA S UPOZORENJEM UPOZORAVA DA PLINSKA BOCA MORA BITI TIJEKOM UPORABE VANI, NE SMIJE BITI UNUTAR ROŠTILJA.**

Bilješka:

Promjer tave za bočni plamenik mora biti 140-240 mm.

Brojevi na sapnici označavaju njene dimenzije, naprimjer „0,95“ na sapnici znači da je veličina sapnice „0,95 mm“.

## Servisiranje

Plinski roštilj trebala bi svake godine provjeriti ovlaštena osoba, autorizirani servis.

### Rješavanje problema

Problem	Mogući uzrok	Rješenje
Plamenik se ne pali pomoću sustava paljenja koji je naveden u uputi	<ol style="list-style-type: none"><li>1. Prazna plinska boca</li><li>2. Pokvaren regulator</li><li>3. Prljav, neočišćen plamenik</li><li>4. Prljava ili neočišćena plinska sapnica ili cijev</li><li>5. Labave ili otkopčane električne žice koje vode do paljenja</li><li>6. Oštećeno dugme za paljenje</li></ol>	<ol style="list-style-type: none"><li>1. Dopuniti bocu</li><li>2. Provjeriti regulator, eventualno zamijeniti</li><li>3. Očistiti plamenik</li><li>4. Očistiti sapnice ili cijevi</li><li>5. Provjeriti, priključiti električne žice</li><li>6. Promijeniti dugme za paljenje</li></ol>
Plamenik se ne pali ni pomoću šibice	<ol style="list-style-type: none"><li>1. Prazna plinska boca</li><li>2. Pokvaren regulator</li><li>3. Prljav, neočišćen plamenik</li><li>4. Prljava ili neočišćena plinska sapnica ili cijev</li></ol>	<ol style="list-style-type: none"><li>1. Dopuniti bocu</li><li>2. Provjeriti regulator, eventualno zamijeniti</li><li>3. Očistiti plamenik</li><li>4. Očistiti sapnice ili cijevi</li></ol>
Mali plamen, plamen mimo plamenika, zvuk siktanja	<ol style="list-style-type: none"><li>1. Plinska boca je suviše mala</li><li>2. Prljav, neočišćen plamenik</li><li>3. Prljava, neočišćena plinska sapnica ili cijev</li><li>4. Loši uvjeti vjetra, roštiljanje na propuhu</li></ol>	<ol style="list-style-type: none"><li>1. Upotrijebite veću, preporučenu plinsku bocu</li><li>2. Očistite plamenik</li><li>3. Očistite sapnice ili cijevi</li><li>4. Premjestite roštilj na drugo mjesto, bolje prozračen i zaštićen prostor</li></ol>

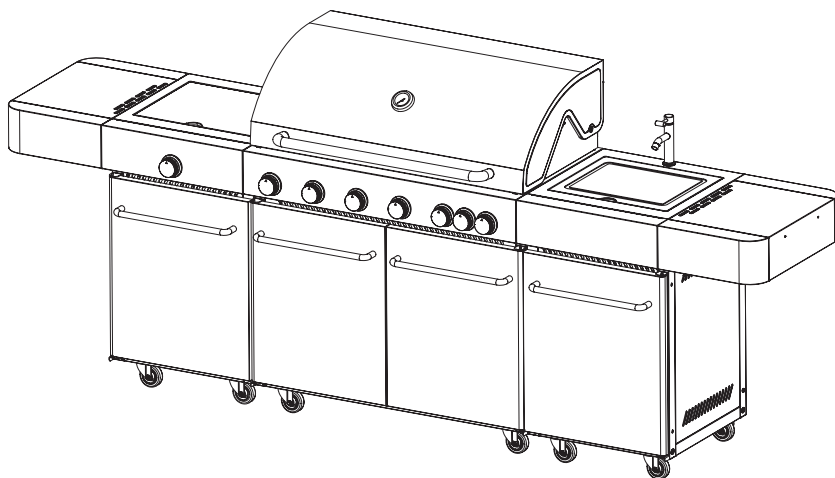
Hrvatska verzija upute točan je prijevod originalne upute proizvođača.

Fotografije upotrijebljene u uputi ilustrativne su i ne moraju biti u potpunosti identične s proizvodom.

**SLO**

## **NAVODILA ZA MONTAŽO PLINSKEGA ŽARA**

ZA MONTAŽO UPORABLJAJTE SAMO ORIGINALNO OPREMO, KI JE VKLJUČENA V PAKIRANJE. ČE JE POTREBNO POVRAČILO, SE OBRNITE ZA NAŠO STORITEV ZA STRANKE, ALI ZA NAŠEGA LOKALNEHO PRODAJALCA. UPORABA NEPOOBLAŠČENIH DELOV LAHKO JE NEVARNO ZA ZDRAVJE, ALI LAHKO POŠKODUJE VAŠ ŽAR.



GRIL JE NAMENJEN IZKLJUČNO ZA ZUNAJNO UPORABO.  
PRED MONTAŽO PROSIMO PREBERITE PODATKE O NAVODILIH ZA NASTAVITEV.  
NAVODILA SKRIBNO SHRANITE ZA POZNEJŠO UPORABO.



## OPOZORILO

### Če zanemarite in ne upoštevate navodil v priročniku, obstaja nevarnost požara ali eksplozije.

Ignoriranje in neupoštevanje navodil v tem priročniku lahko povzroči telesne poškodbe ali poškodbe na nepremičnine.

Kaj storiti, če pri uporabi žara občutite plin:

1. Izklopite dovod plina na plinski jeklenki.
2. Ugasnite vse vire vžiga, ki so v vašem območju, ne uporabljajte električnih naprav.
3. Prezračite prostore in zagotovite kroženje zraka.
4. V tem priročniku preberite razdelek KAKO PREVERITI RAVNANJE.
5. Če vonj traja, nemudoma stopite v stik s strokovnjakom ali dobaviteljem ali proizvajalcem plinskih jeklenk.

Varnostni ukrepi:

1. Vsakič, ko je plinska jeklenka povezana z žarom, preverite tesnost vseh spojev.
2. Nikoli ne preverjajte tesnosti spojev v bližini odprtega ognja.
3. Žara ali jeklenke ne shranjujte v bližini bencina ali drugih vnetljivih snovi.
4. Ne hranite v bližini druge tlačne opreme ali opreme, ki lahko pušča vnetljive snovi.

Montaža:

**OPOZORILO:** Čeprav sme paziti za najvišja kakovost dela, je možno, da so nekateri robovi ostri, zato vam priporočamo, da pazite pri montaži na to, da se izognete drugih poškodb.

Priporočeno orodje: ploščati in križni izvijač, klešče, komplet ključev

Postopek montaže:

Pred namestitvijo natančno preberite vsa navodila.

Namestite žar na takšnem mestu, da bo dovolj prostora za vse dele.

Navodila kažejo, kako nadaljevati z žarom, skupaj s seznamom delov, ki so vključeni v paket (pazite, da pred namestitvijo ne manjka nobenega elementa). Za namestitev žara je potrebno najmanj 2 osebi.

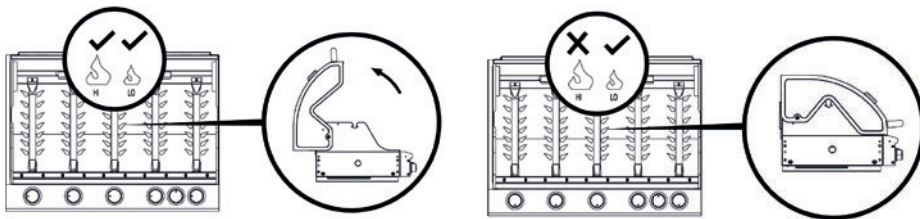
**OPOZORILO:** Prepričajte se, da odstranite vse embalaže in zaščitne naprave, ki so bile uporabljene za prevoz samo med montažo.

**OPOZORILO:** Ne premikajte žara, medtem ko na žaru ali spreminjati z njo na kakršen koli način. Če žar ne uporabljate, se prepričajte, da je dovod plina iz jeklenke izključen.

Žara ne spreminjajte ali izboljšujte spontano.

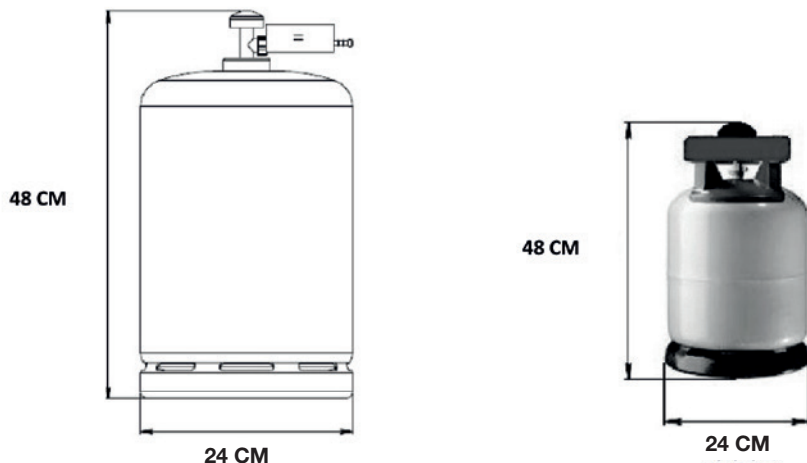
Najmanjša oddaljenost od sten ali drugih ovir in žar je 3m, žar pa ni priporočljivo uporabljati v neposredni bližini hiš in drugih bivalnih prostorov.

## BODITE PREVIDNI:



### Pomembno:

- Natančno preberite naslednje navodilo in se prepričajte, da je žar pravilno sestavljen. Neupoštevanje konstrukcije žara lahko povzroči telesne poškodbe ali poškodbe žara.
- Če imate kakršna koli vprašanja glede gradnje ali uporabe žara, se obrnite na prodajalca ali proizvajalca.
- Pred pečenjem na žaru pazite, da sta žar in tlačno steklenico postavljena na ravno površino, da se rešetka ne more prevrniti zaradi neravnosti površine, na kateri stoji žar.
- Gorilnikov nikoli ne poskušajte vžgati z zaprtim zgornjim pokrovom. To opozorilo velja tudi za stranski gorilnik.
- Žar lahko uporabljate s tlačnimi valji, ki tehtajo do največ 15 kg.



## Povezovanje jeklenke z žarom

Uporaba žar je primeren le za uporabo z tlačne steklenice z nizkim tlakom butan, propan ali njihovih zmesi. Tlačne valje morajo biti opremljene z ustreznim regulatorjem nizkega tlaka. Uporabite regulator tlaka izključno certificiran v skladu z veljavnim standardom EN16129. Cev mora biti trdno pritrjena na krmilnik in napravo. Za rešetko, ki je zasnovana za I3B/P (30), I3+(28-30/37), uporabite regulator, ki je zasnovan za uporabo butana s tlakom 30 mbar in propan 37 mbar. Za podrobnejše informacije o izbiri ustreznega krmilnika se obrnite na prodajalca plina ali steklenic. Plinsko jeklenko shranite zunaj žara.

## Regulator in cev

Uporabljajte samo regulatorje in cevi, ki izpolnjujejo zgoraj navedene parametre (tlak, plin) in so odobreni z ustreznim standardom. Življenjska doba regulatorja je ocenjena na 2 leti, nato je priporočena zamenjava, uporaba nepravilnega krmilnika ali cevi je nevarna. Vedno se prepričajte, da so vse povezave pravilno priključene. Dolžina cevi mora biti največ 1,5 m. Izrabljene ali poškodovane cevi je treba takoj zamenjati. Vedno se prepričajte, da cev ni zamašena, zlomljena ali v neposrednem stiku z nobenim delom žara.

## Shranjevanje žara in valja

Tlačna posoda mora biti vedno odklopljena in odstranjena iz naprave za peko na žaru. Priporočamo shranjevanje žara v originalni embalaži ali vsaj prekritje s ponjavo, saj je žar potrebno shraniti v brezprašnem in suhem prostoru.

## Tlačna steklenica

Prepovedano je kopati v plinsko jeklenko, prepovedano jo je zakopati ali vreči ali udariti z zemljo. Če žar ni v uporabi, je treba steklenico brezpogojno odklopiti in shraniti zunaj žara.

Plinske jeklenke je treba hraniti na prostem v pokončnem položaju (nikoli izravnati!) in izven dosega otrok. Tlačnih steklenic nikoli ne shranjujte na mestih, kjer lahko temperature dosežejo več kot 50 °C. Jeklenke ne shranjujte v bližini ognja ali v prostoru skupaj z večnim plamenom ali v bližini drugih virov vžiga. V bližini jeklenk je prepovedano kaditi.

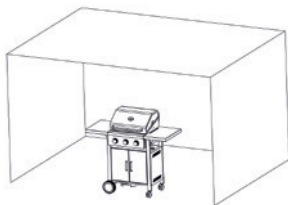
Žar je namenjen za uporabo na prostem, stran od vnetljivih materialov.

**Pomembno!** Prezračevalne odprtine na rešetki ne smejo biti pokrite, uporaba rešetke je dovoljena vsaj 3 m od stene hiše ali druge zgradbe (ovire), da zrak lahko kroži.

Žar mora biti v uporabi na ravno površino, tako da je stabilna. Žar je prepovedan v velikih preprihih, vetrovih in dežju.

Uporabnik ne sme poškodovati delov, ki jih je zapečatil proizvajalec ali distributer. Uporabniki ne smejo spreminjati žara. Popravila in vzdrževanje mora izvesti le pooblaščen serviser.

Ker ta žar nima nobenih omejitev pri nezgorelih emisijah goriv, mora biti sestavljen in uporabljen na prostem ali na dovolj prezračevanem mestu.



Priključite aparat

Pred priključitvijo se prepričajte, da vse cevi, ki vodijo do plinske jeklenke, regulatorja in gorilnika, ne vsebujejo nezaželenih delcev ali delcev ali mrtvih insektov. Zamašenje gorilnika lahko povzroči požar.

Namestite cev in jo privijte s ključem. Če žar dalj časa ne uporabljate, odklopite regulator iz steklenice (kot je predpisano z regulatorjem). Žar je treba uporabiti v dobro prezračenem prostoru, tako da je pretok zraka. Žar je namenjen samo za pečenje na prostem, v zelo dobro prezračenem pergoli ali gazebo.

PRED UPORABO PREVERITE KALIBRACIJO.

NIKOLI NE PREPOVEDATI ZAGON V ODPRTJU POŽARA, VEDNO UPORABLJAJTE JAROVO VODO (VODO S DETERGENTOM ZA POSODO).

#### Preverjanje uhajanja:

- Pripravite vodo z nekaj kapljic detergenta (JAR, PUR).
- Poskrbite, da je krmilni ventil izklopljen.
- Regulator priključite na steklenico in regulacijski ventil ON / OFF na gorilnik, se prepričajte, da je vse varno pritrjeno, nato sprostite plin.
- Nežno nanesite detergentno vodo na cev in vse spoje. Če se pojavijo mehurčki, pride do puščanja, ki ga je treba pred uporabo popraviti.
- Po ponovnem zapiranju uporabite vodo z detergentom.
- Po testiranju izklopite dovod plina.
- Če puščanja ne morete odstraniti, se obrnite na prodajalca.

## Navodila za pečenje na žaru

### Navodila za pečenje na žaru - glavni gorilnik (Velja za vse žare na plin)

1. Odprite pokrov rešetke pred poskusom vžiga gorilnikov.
2. Najprej zavrtite vse kontrolne gumbе v smeri urinega kazalca na „OFF“.
3. Po preverjanju tesnosti priključite regulator na plinsko jeklenko. Vključite dovod plina „ON“ na regulatorju in uporabite detergentsko vodo, da preverite uhajanje plina.
4. Pritisnite levi sprednji kontrolni gumb in ga držite. Nato zavrtite gumb v nasprotni smeri urinega kazalca na položaj „HIGH“ (slišite klik), da sežgete gorilnik. Ugotovite, ali je gorilnik prižgan, če ne, ponovite postopek.
5. Če se gorilnik po nadaljnjih poskusih ne vžge, počakajte 5 minut in ponovite 4. korak.
6. Nastavite temperaturo z obračanjem gumba na položaj „visok“ / „nizek“.
7. Če tudi po večkratnih poskusih ni vžiga gorilnika, poskrbite, da imate pravilno priključeno tlačno posodo in da ste pravilno vključili dovod plina.
8. Če želite preostale gorilnike prižgati v vrstnem redu od leve proti desni, ponovite korak 4. Nikoli se ne poskušajte vžgati drugih gorilnikov, razen če se prižge prvi gorilnik na levi in prvi vžig.
9. Skrbi za žar, ali če želite shraniti žara, pa vse gumbе v položaj „OFF“ tako na ventil jeklenke, regulator, in celo na žaru.

### Navodila za žar - Stranski gorilnik (Velja samo za rešetke, opremljene s stranskim gorilnikom)

1. Odprite pokrov stranskega gorilnika.
2. Pritisnite stranski gumb in ga držite. Nato zavrtite gumb v nasprotni smeri urinega kazalca na položaj „HIGH“ (slišite klik), da sežgete gorilnik. Ugotovite, če je gorilnik je prižgal, če ne, ponovite celoten postopek.
3. Če se gorilnik po nadaljnjih poskusih ne vžge, počakajte 5 minut in ponovite 2. korak.
4. Nastavite temperaturo z vrtenjem gumba v zeleni položaj.
5. Če ni vžiga gorilnika, se tudi po večkratnih poskusih prepričajte, da imate pravilno priključen valj in da ste pravilno vključili oskrbo s plinom.
6. Za izklop stranskega gorilnika obrnite kontrolni gumb v položaj OFF. Če želite izklopiti celotno rešetko, obrnite ventil na plinski jeklenki ali regulator v položaj OFF in nato obrnite kontrolni gumb v smeri urinega kazalca v položaj OFF.

### Navodila za pečenje na žaru - zadnji gorilnik (Velja samo za rešetke z zadnjim gorilnikom)

1. Odprite pokrov žara.
2. Pritisnite zadnji upravljalni gumb in ga obrnite v levo v položaj „HIGH“, tako da sežgete gorilnik. Ugotovite, ali je gorilnik vžgal. Če ne, ponovite postopek.
3. Če se gorilnik po nadaljnjih poskusih ne vžge, počakajte 5 minut in ponovite 2. korak.
4. Nastavite temperaturo z vrtenjem gumba v zeleni položaj.
5. Če se gorilnik po več poskusih ne prižge, gorilnik vžgite z vžigalicami ali z dolgim vžigalnikom. Posvetujte se s svojim prodajalcem za popravilo vžiga.
6. Za izklop zadnjega gorilnika obrnite gumb v smeri urinega kazalca v položaj „OFF“. Če želite rešetko popolnoma izklopiti, odklopite dovod plina in vse kontrolne gumbе obrnite v položaj „IZKLOP“.

## POMEMBNO OBVESTILO:

**Gorilnika ne uporabljajte z gorilnikom motorja, če uporabljate glavni gorilnik.**

**OPOZORILO:** Če gorilnika ne morete prižgati, obrnite krmilni gumb v položaj OFF (v smeri urinega kazalca) in zavrtite ventil na plinski jeklenki v položaj OFF. Počakajte 5 minut in nato ponovno poskusite vžgati gorilnik.

Preden odprete žar, odprite pokrov rešetke žara, prižgite žar in pustite gorilnike z LOW gorilniki za 15 minut, da se segrejo in „preperejo“ površino rešetke. Očistite žar po vsaki uporabi, tako da se prepreči onesnaženje žar rešetke pripečenými ali kose mesa, maščobe, in vaše jelo bo vedno popolnoma porjavi. Ne uporabljajte agresivnih ali vnetljivih čistilnih sredstev, ker lahko poškodujejo dele izdelka in lahko začnejo goreti. Očistite samo s toplo vodo z detergentom (JAR).

**OPOZORILO:** Nekateri deli žara so lahko zelo vroči. Hranite izven dosega otrok na zadostni razdalji in ne pustite, da otroci uporabljajo žar (deli žara so lahko ogrevani eno uro po žaru!).

Pri pečenju na žaru in čiščenje žar priporočamo uporabo zaščitne rokavice, ki so odporne na višjih temperaturah in ne povzročajo opeklin.

## Čiščenje in vzdrževanje

**OPOZORILO:** Vse čiščenje in vzdrževanje žara je dovoljeno izvajati samo, ko je žar ohlajena in odklopljena od jeklenke.

### Čiščenje

„Žganje“ žara po vsaki uporabi (približno 15 minut) zmanjša ostanke hrane na minimum.

### Zunanja površina

Uporabite detergent za posodo ali sodo bikarbono in toplo vodo. Sredstva za čiščenje se lahko uporabljajo samo na ščitniku rešetke (pokrovi itd.). Za pranje ne uporabljajte abrazivnih sredstev, gobic ali volne. Po spiranju temeljito sperite s čisto vodo.

### Dno žara

Ostanke odstranite s čopičem, strgalom ali čistilom, nato sperite z detergentno vodo. Sperite s čisto vodo in pustite, da se posuši.

### Leseni deli

Operite z mehko krpo in toplo milnico, nato sperite s čisto vodo. Ne uporabljajte čistil, razmaščevalnikov ali drugih močnih agresivnih čistil za žar ali lesenih delov.

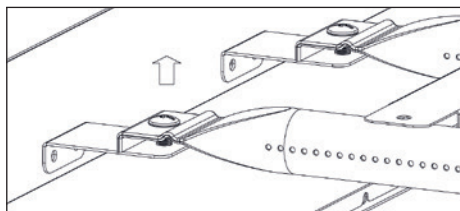
### Mreža na žaru

Uporabljajte samo izvirsko vodo. Odstranite ostanke hrane z mehko strgalom ali krtačo in obrišite z gobo ali krpo.

### Plinski gorilnik

- Izklopite plin v položaj IZKLOP na upravljalnem gumbu in odklopite tlačno posodo.
- Odstranite rešetko. Gorilnik očistite z mehko krtačo in obrišite s krpo.
- Previdno očistite zamašena območja z žico ( odprte sponke za papir) ali izpihajte zrak.
- Preverite, ali gorilnik nima manjših razpok ali drugih poškodb. Če je tako, ga takoj zamenjajte z novim. Ne uporabljajte poškodovanih gorilnikov.

Če stari gorilnik zamenjate z novim, se prepričajte, da ste ga pravilno namestili in da je varno pritrjen na notranjost gorilnika in se nahaja na plinskem ventilu.



## **Pomembne informacije**

### **Površinska obdelava in zaščita nerjavnega jekla**

Nerjaveče jeklo potrebuje vzdrževanja, kot misli večina ljudi. Komponente iz nerjavečega jekla zahtevajo posebno skrb, da ohranijo svoj videz. Komponente iz nerjavečega jekla zahtevajo pogosto izpiranje z vodo. Za obdelavo z oljčnim oljem priporočamo nerjaveče jeklene komponente. Oljčno olje nanesite v slabi vrsti in razmažite s suho krpo, dokler ni popolnoma suha. Ta proces je treba čim bolj zmanjšati kontaminacijo komponentov.

Žar lahko kupite kot zaščitno jadro, ki ga priporočamo vsakič, ko žar ni uporabljen. To jadro uporabljajte samo na hladnem, čistem in suhem žaru.

Da bi ohranili kakovost pečenja na žaru in kuhanje, priporočamo, da žar očistite in skrbno shranite, zlasti v zimskih mesecih, ko žar ne uporabljate.

Če vas skrbi žar, vam bo to služil že vrsto let.



Tehnične informacije:



	Nevada BBQ - Žar		Nevada BBQ - kuhalna plošča
Skupni toplotni grelnik: (VSE KATEGORIJE)	24 kW (1714 g/h) Vsak gorilnik ima nazivno moč 4,0 kW, vključno z zadnjim gorilnikom. Zadnjega gorilnika ne smete uporabljati hkrati z gorilniki žara.		4 kW (286 g / h) gorilniki imajo nazivno moč 4 kW
Kategorija plina	I3+(28-30/37)		I3B/P(30)
Vrste plina	Butan	Propan	Mešajte plin propana in butana (LPG)
Tlak v plinu	28 - 30 mbar	37 mbar	30 mbar
Velikost šobe:	Žar: 0,95 mm Stranska šoba: 0,95 mm Infra: 0,95 mm		
Identifikacijska koda:	2575DL0359BT887		
<b>NAMENJENO ZA ZUNANJO UPORABO IN ZA UPORABO V VARJENIH PROSTORIH.</b>			
<b>OPOZORILO: NEKATERI DELI SO LAHKO PRI GRILLINGU IN PO ŽARU (CCA 1HOD) ZELO VROČE. NE DOVOLJUJTE OTROKOM, DA UPORABLJAJO ŽAR IN JO DRŽITE V ZAČASNI RAZDALJI.</b>			
<b>KADAR JE GRIL UPORABLJEN, NEMANIPULIRAJ S NJIM.</b>			
<b>ČE UPORABLJATE GRILL, NAPAJO OSKRBOVANJE PLINA NA PLIN.</b>			
<b>NE ODSTRANITE NAPRAVE.</b>			
<b>TA NAPRAVA NE SME BITI UPORABLJENA V PRISOTNOSTI VNETHLJIVIH MATERIALOV.</b>			
<b>PRED UPORABO INSTRUMENTA PREBERITE NAVODILA ZA UPORABO.</b>			
<b>NALEPKA ZA OPOZORILO ZAHTEVA, DA JE POTROŠNJA PLINA MORA BITI NA ZUNANJEM MESTU, NE MORAJO V ZGIBU.</b>			

Opomba:

Premer pelete za stranski gorilnik mora biti 140-240 mm.

Številke na šobi kažejo na njeno velikost, na primer „0,95“ na šobi pomeni, da je velikost šobe „0,95 mm“.

## Storitev

Plinski žar mora vsako leto pregledati pooblaščen oseba ali pooblaščen servisni center.

### Odpravljanje težav

Težava	Možen vzrok	Rešitev
Gorilnika ne vžigajte z vžigalnim sistemom, kot je opisano v priročniku.	<ol style="list-style-type: none"><li>1. Prazna plinska jeklenka</li><li>2. Okvarjen krmilnik</li><li>3. Zamašen, neočiščen gorilnik</li><li>4. Zamašena ali neočiščena plinska šoba ali cev</li><li>5. Zrahljajte ali odklopite žice iz elektrike, ki povzroči vžig</li><li>6. Poškodovan vžigalni gumb</li></ol>	<ol style="list-style-type: none"><li>1. Dodajte steklenico</li><li>2. Preverite regulator ali ga zamenjajte</li><li>3. Očistite gorilnik</li><li>4. Očistite šobe ali cevi</li><li>5. Preverite in priključite ohlapne žice</li><li>6. Zamenjajte stikalo za vžig</li></ol>
Gorilnik ne strelja niti s šibo	<ol style="list-style-type: none"><li>1. Prazna plinska jeklenka</li><li>2. Okvarjen krmilnik</li><li>3. Zamašen, neočiščen gorilnik</li><li>4. Zamašena ali neočiščena plinska šoba ali cev</li></ol>	<ol style="list-style-type: none"><li>1. Dodajte steklenico</li><li>2. Preverite regulator ali ga zamenjajte</li><li>3. Očistite gorilnik</li><li>4. Očistite šobe ali cevi</li></ol>
Nizek plamen, plamen zunaj gorilnika, zvok sikanja	<ol style="list-style-type: none"><li>1. Plinska jeklenka je premajhna</li><li>2. Zamašen, neočiščen gorilnik</li><li>3. Zamašena ali neočiščena plinska šoba ali cev</li><li>4. Slabe razmere vetra, osnutek</li></ol>	<ol style="list-style-type: none"><li>1. Uporabite večjo, priporočeno plinsko jeklenko</li><li>2. Očistite gorilnik</li><li>3. Očistite šobe ali cevi</li><li>4. Uporabite žar na drugem, zračnem, bolj zaščitenem mestu</li></ol>

Slovenska različica priročnika je natančen prevod originalnih navodil proizvajalca.

Slike, uporabljene v priročniku, so samo za ilustracijo in se morda ne ujemajo natančno z izdelkom.

# Installation

## Montage

## Montáž

## Összeszerelés

## Montaż



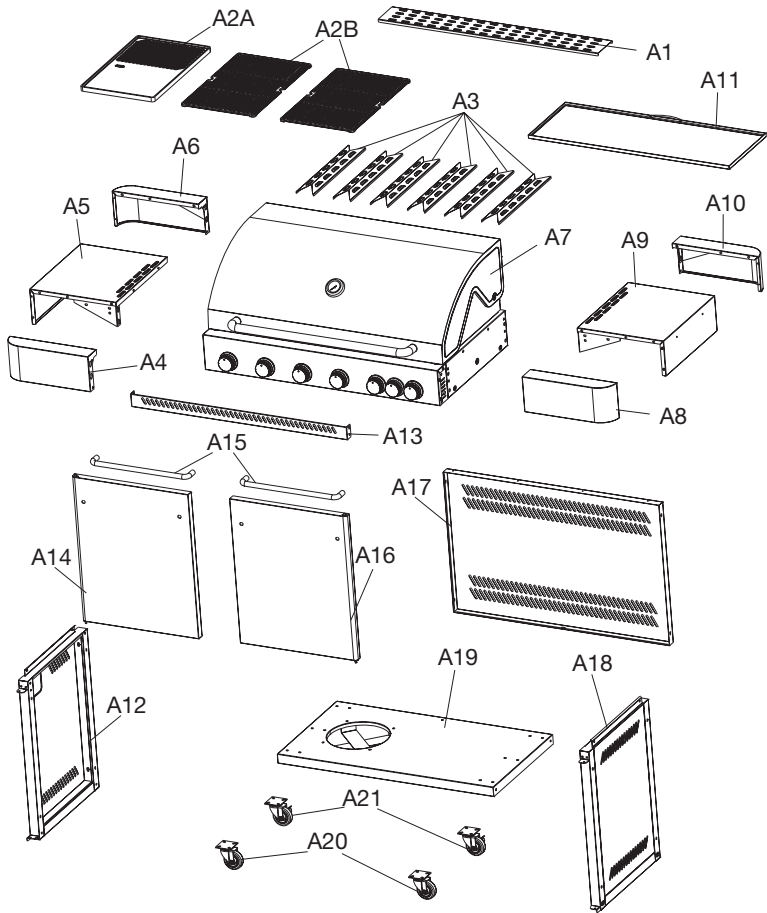
**A** Grill \ Grill \ Gril \ Gril \ Gril \ Grill

**B** Hotplate \ Platte \ Plotýnka \ Platnička \ Főzőlap \ Palnik

**C** Sink \ Spülbecken \ Dřez \ Drez \ Mosogató \ Zlewozmywak

A

Grill \ Grill \ Gril \ Gril \ Grill \ Grill

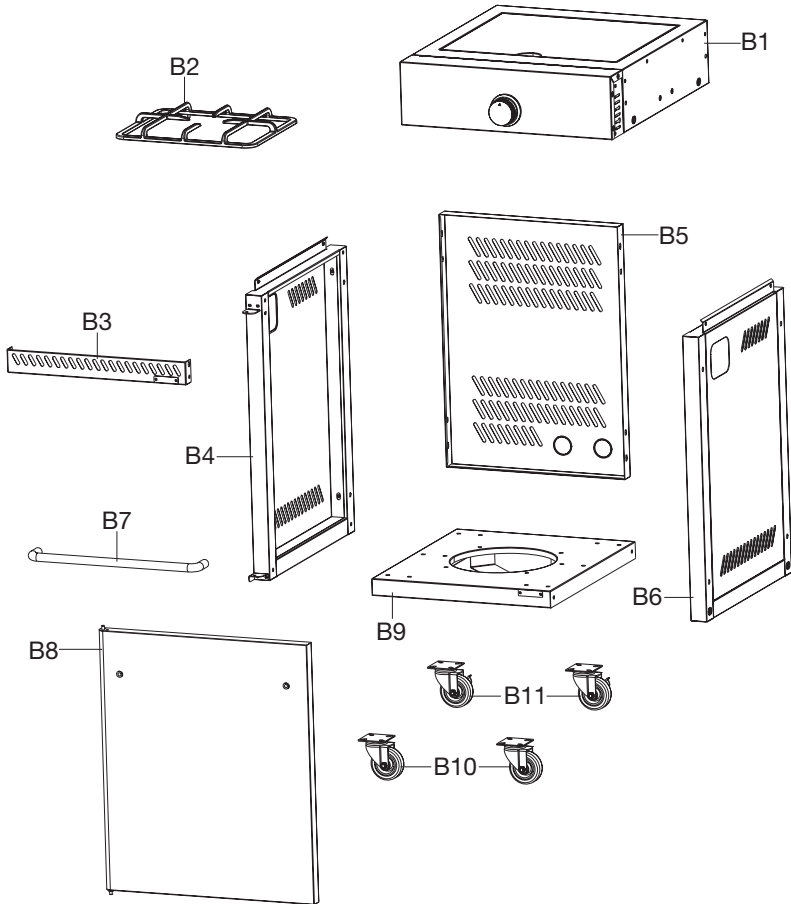


A1	Cooking rack	1	A6	Side table shell-left back	1
	Bratrost			Platte - linke hintere	
	Pečící rošt			Deska - levá zadní	
	Rošt na pečení			Doska - ľavá zadná	
	Sütőrács			Asztal lemez - bal hátsó	
	Ruszt do pieczenia			Płyta - tylna lewa	
A2A	Hot plate	1	A7	Grill body assembly	1
	Gusseisen-Platte			Grillkörper	
	Litínový plát			Tělo grilu	
	Liatínový plát			Telo grilu	
	Öntöttvas lemez			Grill test	
	Płyta żeliwna			Obudowa grillu	
A2B	Gril plate	2	A8	Side table shell-right front	1
	Grillrost			Platte - rechte vordere	
	Grilovací rošt			Deska - pravá přední	
	Grilovací rošt			Doska - pravá predná	
	Grillező rács			Asztal lemez - jobb első	
	Ruszt do grillowania			Płyta - przednia prawa	
A3	Flame tamer	6	A9	Right side table shell assembly	1
	Feuerregler			Seitenplatte - rechte	
	Regulátor ohně			Postranní deska - pravá	
	Regulátor ohňa			Postranné doska - pravá	
	Láng szabályozó			Oldalsó lemez - jobb	
	Regulator płomienia			Płyta boczna - przednia	
A4	Side table shell-left front	1	A10	Side table shell-right back	1
	Seitenplatte - linke vordere			Platte - rechte hintere	
	Postranní deska - levá přední			Deska - pravá zadní	
	Postranná doska - ľavá predná			Doska - pravá zadná	
	Asztal lemez - bal első			Asztal lemez - jobb hátsó	
	Płyta boczna - przednia lewa			Płyta - tylna prawa	
A5	Left side table shell assembly	1	A11	Drip tray	1
	Seitenplatte - linke			Untersetzer für tropfende Flüssigkeit	
	Postranní deska - levá			Tác na odkapávající tekutinu	
	Postranné doska - ľavá			Tacka na odkvapkávajúcu tekutinu	
	Oldalsó lemez - bal			Csepegtetőtálcá a folyadékhoz	
	Płyta boczna - lewa			Tacka na kapiącą ciecz	

A12	Trolley left side assembly	1	A17	Trolley rear panel	1
	Seitenteil - links			Hintere Platte	
	Bočnice levá			Zadní panel	
	Bočnica ľavá			Zadný panel	
	Oldalsó fal - bal			Hátsó panel	
	Ścianka boczna lewa			Panel tylny	
A13	Trolley bracket-front	1	A18	Trolley right side assembly	1
	Abstützung			Seitenteil - rechts	
	Podpěra			Bočnice pravá	
	Podpera			Bočnica pravá	
	Szellőző			Oldalsó fal - jobb	
	Wspornik			Ścianka boczna prawa	
A14	Left door assembly	1	A19	Trolley bottom shelf	1
	Tür links			Unteres Fach	
	Dvířka levá			Spodní police	
	Dvierko ľavá			Spodná polica	
	Ajtó - bal			Alsó polc	
	Drzwiczki lewe			Półka dolna	
A15	Door handle	2	A20	Castor 3"	2
	Türgriff			Rad 3"	
	Rukojeť dvířek			Kolečko 3"	
	Rukováň dvierok			Koliesko 3"	
	Ajtó fogantyú			Kerék 3"	
	Uchwyt drzwiczek			Kółko 3"	
A16	Right door assembly	1	A21	Castor 3"	2
	Tür rechts			Rad 3"	
	Dvířka pravá			Kolečko 3"	
	Dvierko pravá			Koliesko 3"	
	Ajtó - jobb			Kerék 3"	
	Drzwiczki prawe			Kółko 3"	

**B**

Hotplate \ Platte \ Plotýnka \ Platnička \ Főzőlap \ Palnik

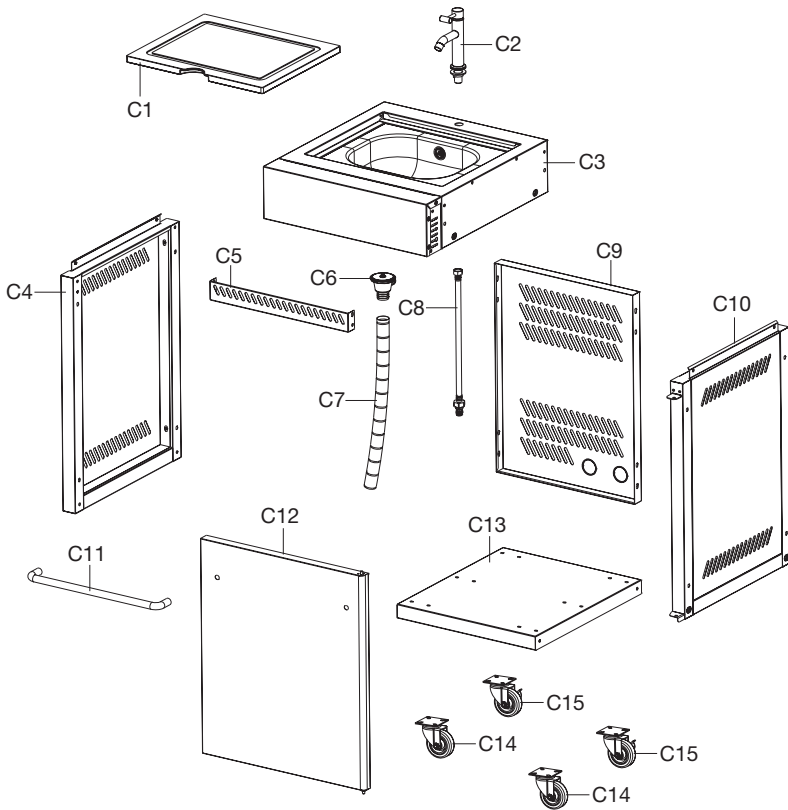


B1	Grill assembly	1	B7	Door handle	1
	Grillkörper			Türgriff	
	Tělo grilu			Rukojeť dvířek	
	Telo grilu			Rukoväť dvierok	
	Grill test			Ajtó fogantyú	
	Obudowa grilla			Uchwył drzwiczek	
B2	Burner gate	1	B8	Door assembly	1
	Gitter des Brenners			Tür	
	Mřížka hořáku			Dvířka	
	Mriežka horáka			Dvierka	
	Égórács			Ajtó	
	Kratka palnika			Drzwiczki	
B3	Trolley bracket front	1	B9	Trolley bottom shelf assembly	1
	Abstützung			Untere Platte	
	Podpěra			Spodní deska	
	Podpera			Spodná doska	
	Szellőző			Alsó lap	
	Wspornik			Płyta dolna	
B4	Trolley left side assembly	1	B10	Castor 3"	2
	Seitenteil - links			Rad 3"	
	Bočnice levá			Kolečko 3"	
	Bočnica ľavá			Koliesko 3"	
	Oldalsó fal - bal			Kerék 3"	
	Ścianka boczna lewa			Kółko 3"	
B5	Trolley rear panel	1	B11	Castor 3"	2
	Hintere Platte			Rad 3"	
	Zadní panel			Kolečko 3"	
	Zadný panel			Koliesko 3"	
	Hátsó panel			Kerék 3"	
	Panel tylny			Kółko 3"	
B6	Trolley right side assembly	1			
	Seitenteil - rechts				
	Bočnice pravá				
	Bočnica pravá				
	Oldalsó fal - jobb				
	Ścianka boczna prawa				



**C**








Sink \ Spülbecken \ Dřez \ Drez \ Mosogató \ Zlewozmywak



C1	Chop board	1	C7	Drain hose	1
	Schneidbrett			Schlauch zum Spülbecken	
	Krájací prkénko			Hadice ke dřezu	
	Krájacia doska			Hadica k drezu	
	Vágólap			Tömlő a mosogatóhoz	
	Deska do krojenia			Rura do rozetki ściekowej	
C2	Tap with nut	1	C8	Water tube	1
	Hahn			Düse	
	Kohoutek			Trubice	
	Kohútík			Trubica	
	Csap			Cső	
	Bateria sztorcowa			Rurka	
C3	Lavabo assembly	1	C9	Trolley rear panel	1
	Körper			Hintere Platte	
	Tělo			Zadní panel	
	Telo			Zadný panel	
	Tělo			Hátsó panel	
	Obudowa			Panel tylny	
C4	Trolley left side assembly	1	C10	Trolley right side assembly	1
	Seitenteil - links			Seitenteil - rechts	
	Bočnice levá			Bočnice pravá	
	Bočnica ľavá			Bočnica pravá	
	Oldalsó fal – bal			Oldalsó fal – jobb	
	Ścianka boczna lewa			Ścianka boczna prawa	
C5	Trolley bracket front	1	C11	Door handle	1
	Abstützung			Türgriff	
	Podpěra			Rukojeť dvířek	
	Podpera			Rukováť dvierok	
	Szellőző			Ajtó fogantyú	
	Wspornik			Uchwyt drzwiczek	
C6	Drain assembly	1	C12	Door assembly	1
	Spülbecken			Tür	
	Dřez			Dvířka	
	Drez			Dvierka	
	Mosogató			Ajtó	
	Rozetka ściekowa			Drzwiczki	

C13	Trolley bottom shelf assembly	1	C15	Castor 3"	2
	Untere Platte			Rad 3"	
	Spodní deska			Kolečko 3"	
	Spodná doska			Koliesko 3"	
	Alsó lap			Kerék 3"	
	Płyta dolna			Kółko 3"	
C14	Castor 3"	2		Rad 3"	
	Kolečko 3"				
	Koliesko 3"				
	Kerék 3"				
	Kółko 3"				

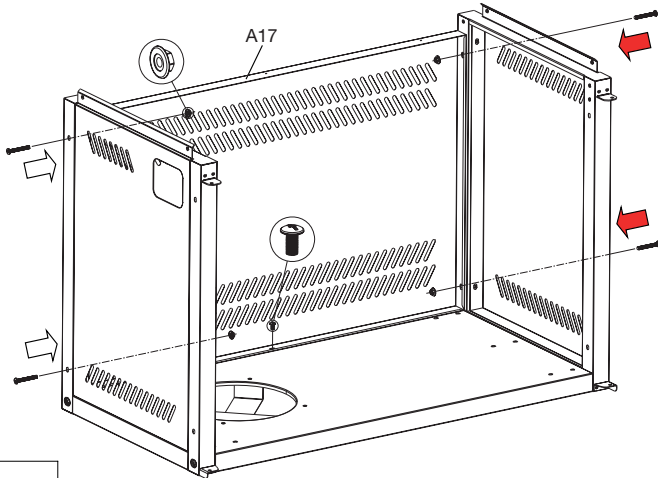
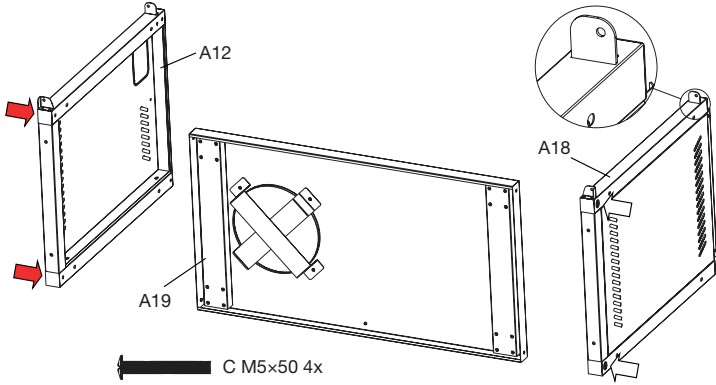
Hard Wares List \ Liste Montagematerial \ Seznam spojovacího materiálu \ Zoznam spojovacieho materiálu \ Csatlakozók és kötőelemek listája \ Wykaz elementów łączeniowych i materiału łącznikowego:

		A	B	C
A	ST4.2×10 	8	0	0
B	M5×12 	4	4	4
C	M5×50 	4	4	4
D	M6×12 	35	20	20
E	M6×50 	4	4	4
F	M6×95 	0	4	4
G	M6 	16	4	4




Assembly \ Montage \ Montáž \ Montáž \ Összeszerelés \ Montaj

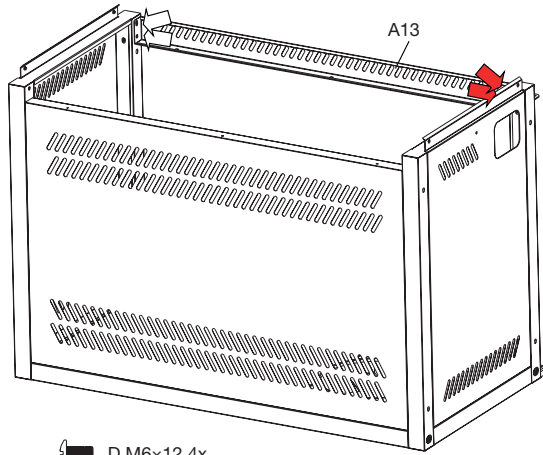
A

Grill \ Grill \ Gril \ Gril \ Grill \ Grill



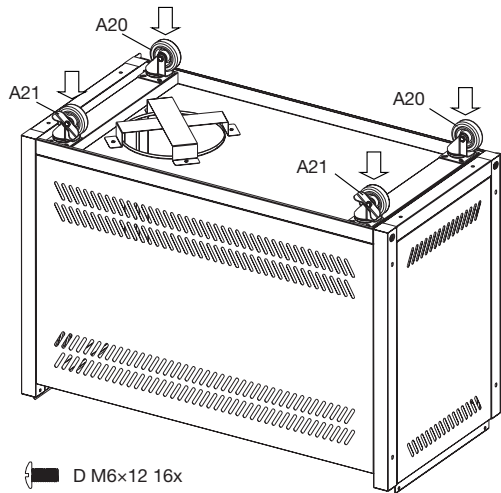
- |   |
|---|
| 1 |
| 2 |

-  E M6x50 4x
-  D M6x12 1x
-  G M6 4x

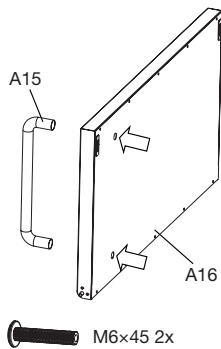
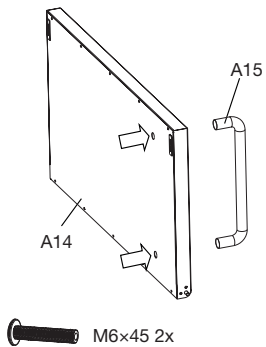


☛ D M6×12 4x

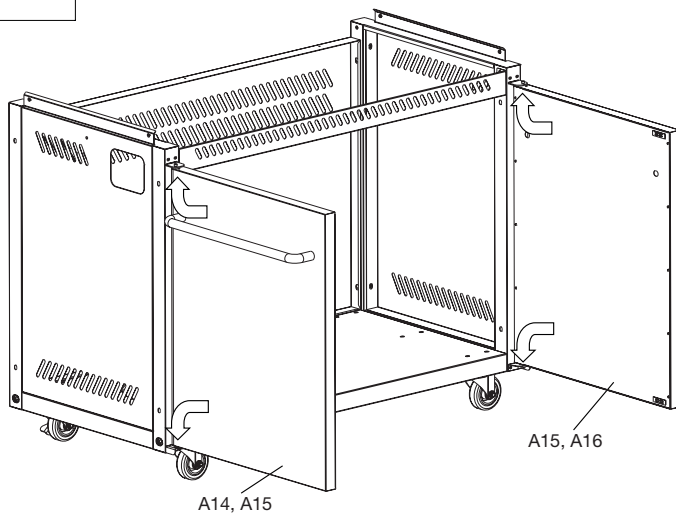
- |   |
|---|
| 3 |
| 4 |

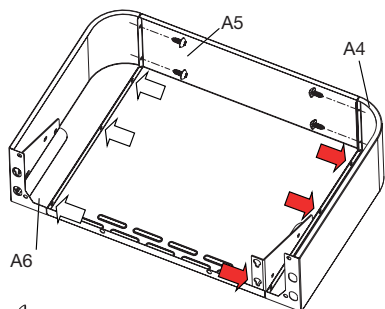





☛ D M6×12 16x

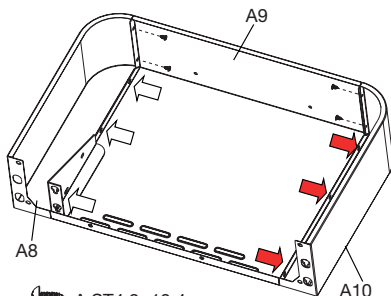





5	6
7	

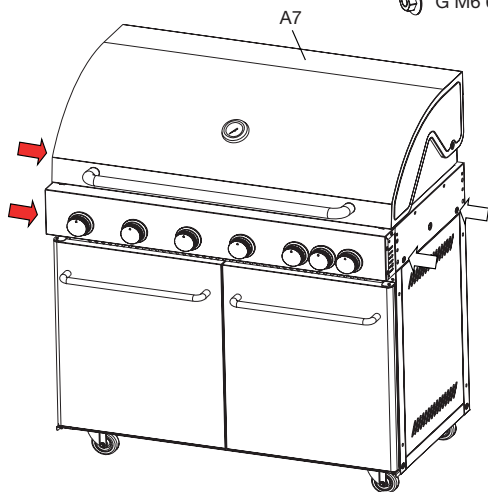




-  A ST4.2x10 4x
-  D M6x12 6x
-  G M6 6x

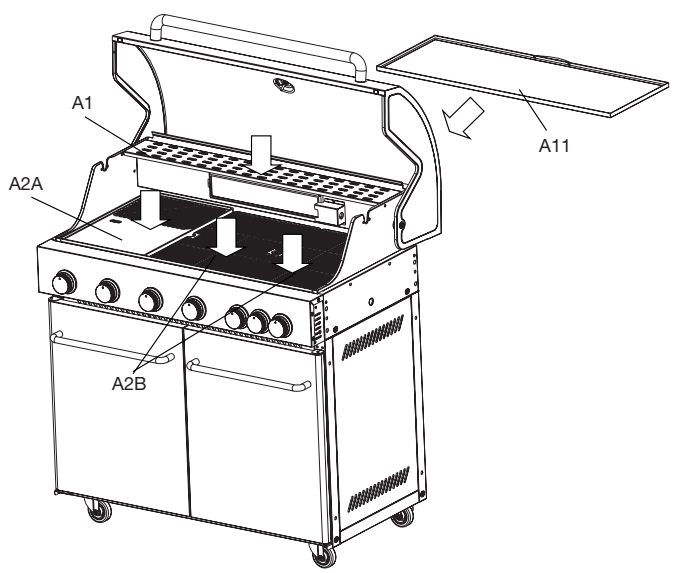
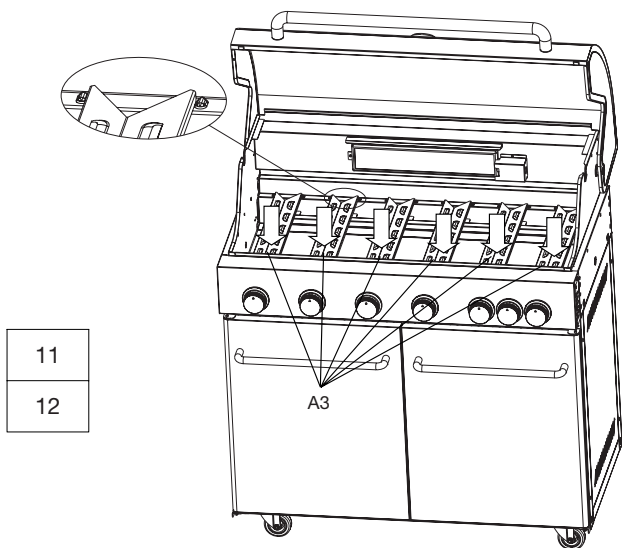


-  A ST4.2x10 4x
-  D HEX M6x12 6x
-  G M6 6x



-  B M5x12 4x

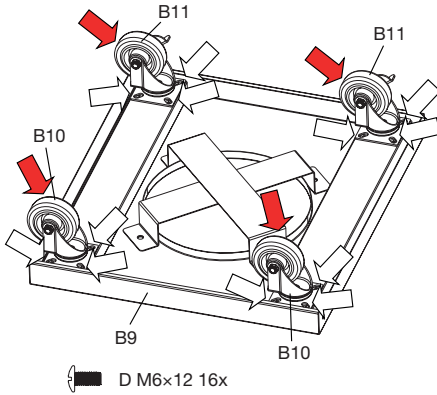
8
9
10



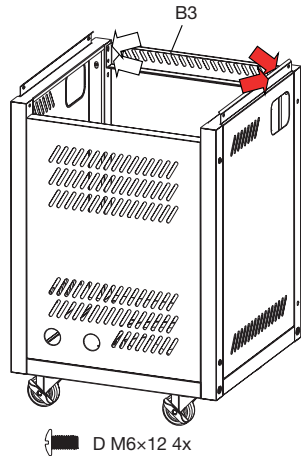
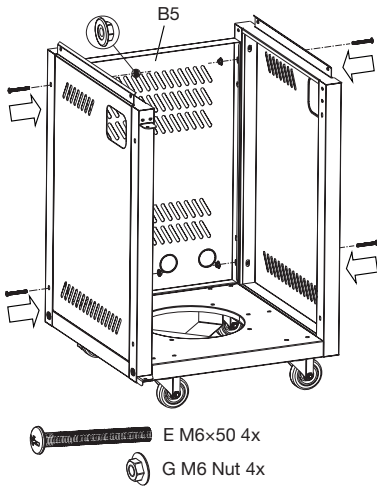
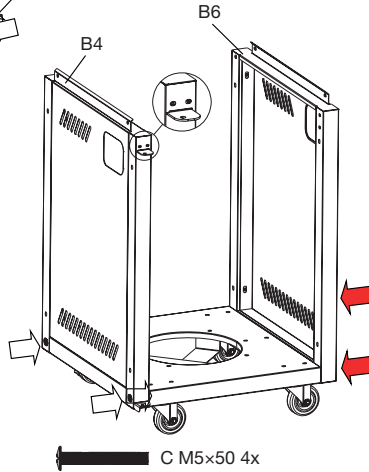


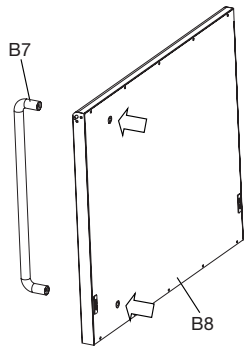
**B**

Hotplate \ Platte \ Plotýnka \ Platnička \ Főzőlap \ Palnik

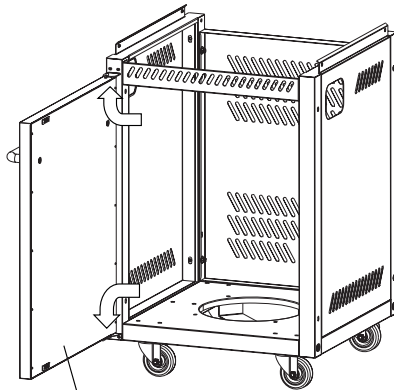


1	2
3	4

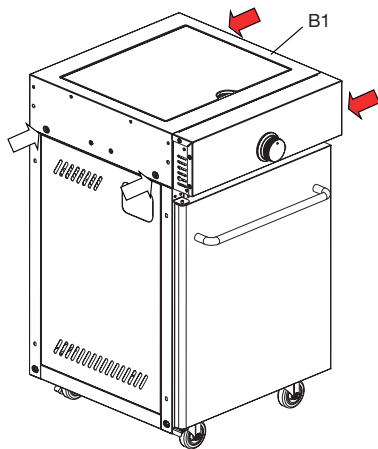




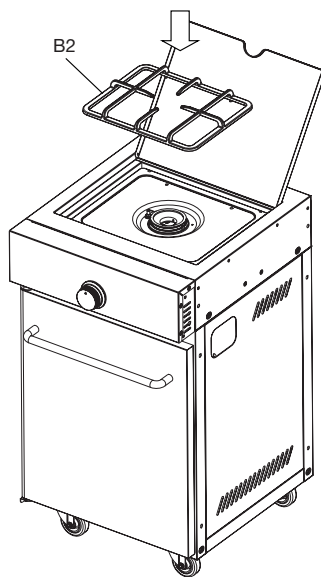
M6×40 2x



5	6
7	8

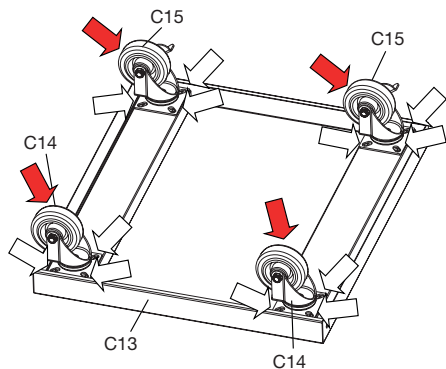


B M5×12 4x



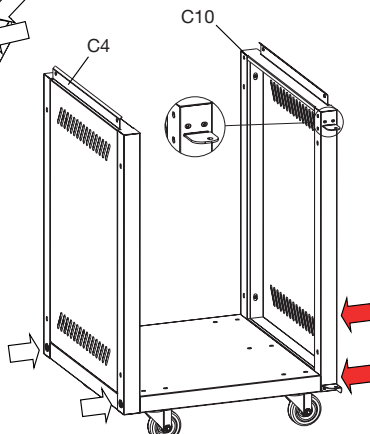
C

Sink \ Spülbecken \ Dřez \ Drez \ Mosogató \ Zlewozmywak

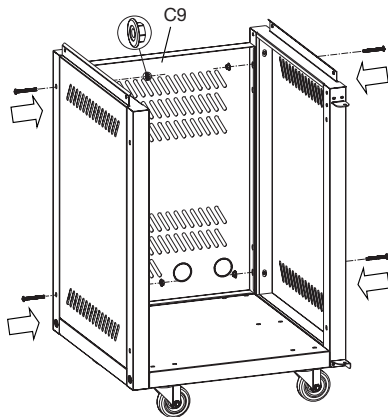


D M6x12 16x

1	2
3	4

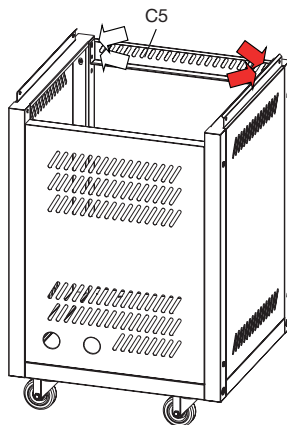


C M5x50 4x

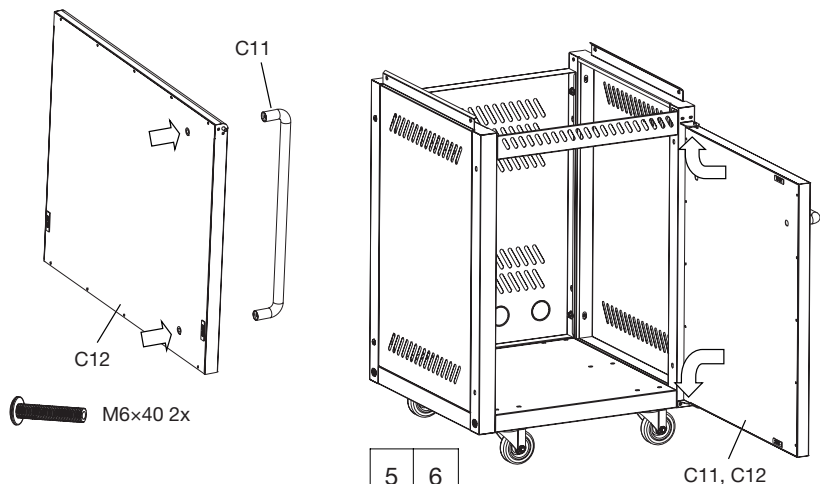


E M6x50 4x

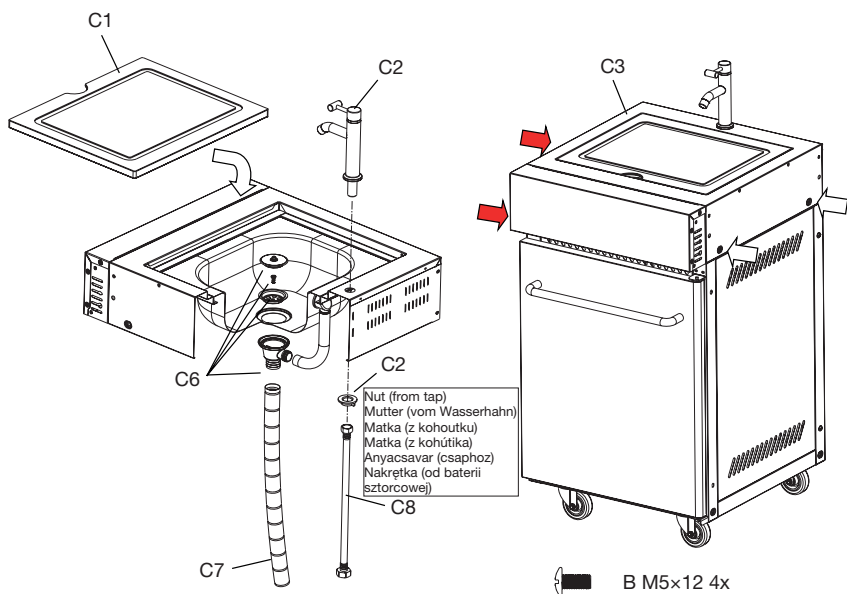
G M6 4x



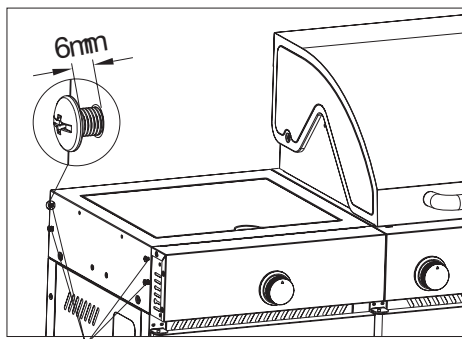
D M6x12 4x



5	6
7	8



C6	EN	DE	CZ	SK	HU	PL
1	Drain cover	Stöpsel	Špunt	Špunt	Dugó	Korek
2	M5 x 18	M5x18	M5x18	M5x18	M5x18	M5x18
3	Drain funnel	Ausguss	Výlevka	Výlevka	Kiöntő	Wylewka
4	Drain base	Abfluss	Odpad	Odpad	Hulladék	Ściek



1	
2	
3	4

Untighten the screws (both side), keep 6mm gap, as shown.

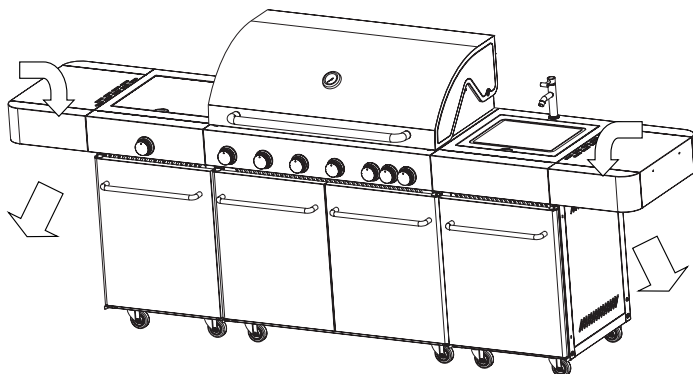
Schrauben lösen (beide Seiten), Spalt von 6mm belassen, s.o.

Povolte šrouby na obou stranách tak, aby vznikla mezera cca 6 mm.

Povolte skrutky na oboch stranách tak, aby vznikla medzera cca 6 mm.

Oldja meg a csavarokat mindkét oldalon úgy, hogy körülbelül 6 mm rés keletkezzen.

Odkręć śruby na obu bokach, aby powstała szczelina około 6 mm.



Hang the side table on the pre-fixed screws, then tighten the screws with a screwdriver.

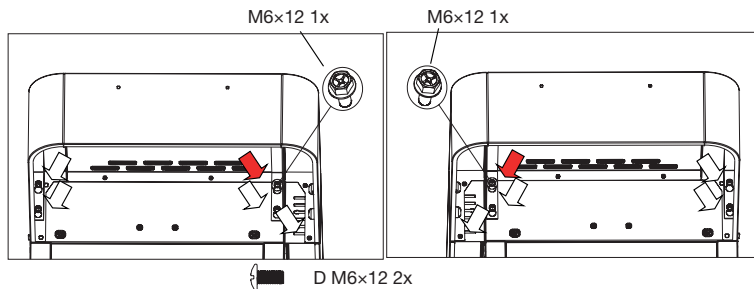
Hängen Sie die Seitenablagen auf die gelösten Schrauben und ziehen diese dann mit einem Schraubenzieher fest.

Zaveste bočnice na obou stranách na předpřipravené šrouby, pak dotáhněte šroubovákem.

Zaveste bočnice na oboch stranách na predpripravené skrutky, potom dotiahnite skrutkovačom.

Akarssza fel az oldallapokat mindkét oldalon, majd húzza meg egy csavarhúzóval.

Zawiesz elementy boków po obu stronach na wstępnie przygotowanych śrubach, następnie dokręć używając wkrętaka.



Remove those 8 M6x50 screws and 8 M6 nuts from trolley rear panel of Grill, from trolley rear panel of Hotplate and from trolley rear panel of Sink and replace them with 8 longer M6x95 screws and 8 M6 nuts.

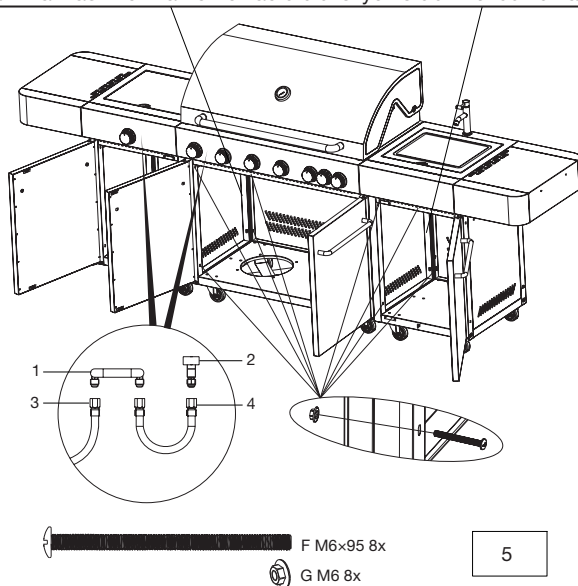
Entfernen Sie die 8 Schrauben M6x50 und 8 Muttern M6 von der hinteren Platte, wo der Grill mit der Platte befindlich ist, ferner von der hinteren Platte, wo das Spülbecken befindlich ist, und benutzen Sie 8 längere Schrauben M6x95 und 8 Muttern M6.

Odstraňte 8 šroubů M6x50 a 8 matic M6 ze zadního panelu grilu, ze zadního panelu kde je gril s ploténkou a ze zadního panelu kde je dřez a místo nich použijte 8 delších šroubů M6x95 and 8 matic M6.

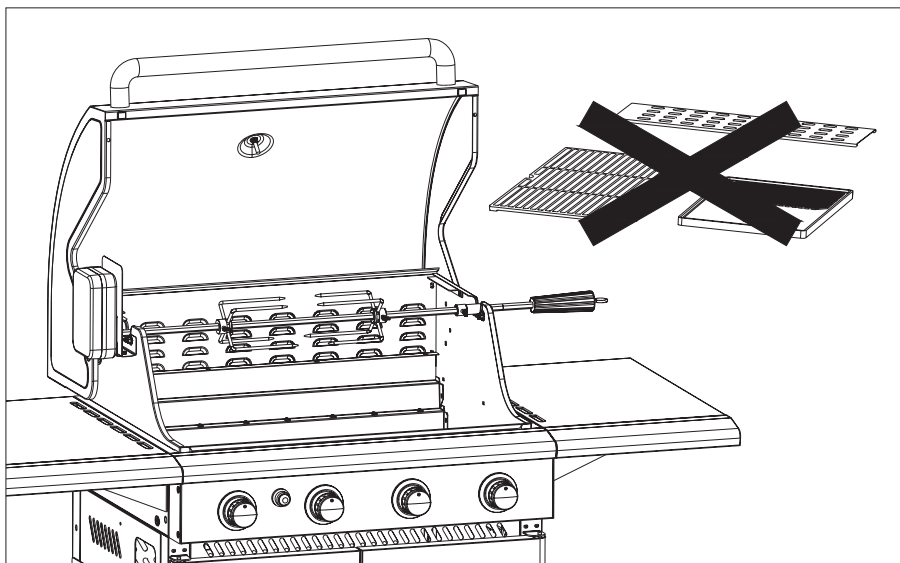
Odstráňte 8 skrutiek M6x50 a 8 matic M6 zo zadného panelu grilu, zo zadného panelu kde je gril s platničkou a zo zadného panelu kde je drez a namiesto nich použite 8 dlhších skrutiek M6x95 and 8 matic M6.

Távolítsa el a 8 darab M6x50 csavart, és a 8 darab M6 anyacsavart a HC104R oldalsó panelról, a HCSB oldalsó panelról (jobb oldali) és a HCXP oldalsó panelról (bal oldali).

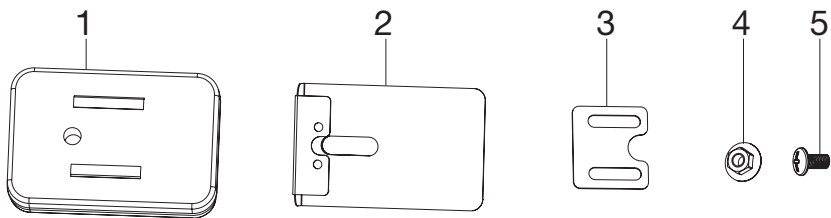
Wymontować 8 śrub M6x50 i 8 nakrętek M6 z panelu tylnego grilla, z panelu tylnego gdzie znajduje się grill z dodatkowym palnikiem bocznym i z panelu tylnego gdzie zainstalowany jest zlewomywak i zamiast nich zamontować 8 dłuższych śrub M6x95 i 8 nakrętek M6.



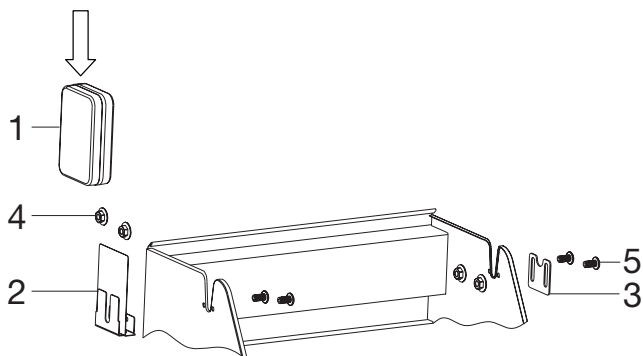
	EN	DE	CZ	SK	HU	PL
1	Valve Hotplate	Ventil Platte	Ventil plotýnka	Ventil platničky	Szelepes főzőlap	Zawór dodatkowy palnik boczny
2	Valve Grill	Ventil Grill	Ventil gril	Ventil grilu	Szelepes grill	Zawór grill
3	Regulator	Regler	Regulátor	Regulátor	Szabályozó	Reduktor
4	Single hose	Schlauch	Hadice	Hadica	Tömlő	Przewody



Motor kit / Motor-Kit / Motorek / Motor / Motor / Silniczek

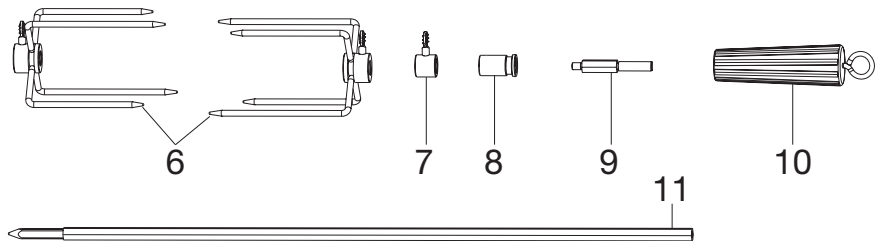


1	Motor	1	4	M6 nut	4
	Motor			M6 Mutter	
	Motorek			Matka M6	
	Motor			Matka M6	
	Motor			Anyacsavar M6	
	Silniczek			Nakrętka M6	
2	Motor mounting bracket	1	5	M6X12 screw	4
	Motor Halterung			M6X12 Schraube	
	Přichytka motorku na stěnu grilu			Šroub M6X12	
	Přichytka motorku na stenu grile			Skrutka M6X12	
	Motort rögzítő csavar			Csavar M6X12	
	Mocowanie silniczka do ściany grilla			Śruba M6X12	
3	Rotisserie bracket	1			
	Drehspieß Halterung				
	Držák na rožeň - jehlice				
	Držiak na ražeň - ihlicu				
	Nyárstartó tű				
	Uchwyt rożna - igła				

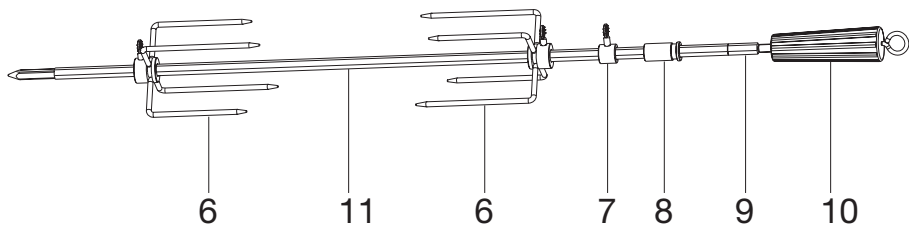




Rotisserie shaft kit / Drehspieß-Set / Rožeň - jehlice / Ražeň - ihla / Nyárstartó - tű / Rožen - igla



6	Meat prong	2	9	Rotisserie shaft tail	1
	Drehspieß-Klammern			Drehspieß-Welle Endstück	
	Vidlice na maso			Držadlo hřídele	
	Vidlice na mäso			Držadlo hriadele	
	Hústű			Forgótengely tartó	
	Widelki do mięsa			Uchwyt wałka	
7	Lock ring	1	10	Handle	1
	Feststellring			Handgriff	
	Zajišťovací kroužek			Rukojeť	
	Zaisťovací krúžok			Rukovät	
	Biztosító csavar			Fogantyú	
	Pierścień zabezpieczający			Uchwyt	
8	Rolling ring	1	11	Rotisserie needle	1
	Rollen-Ring			Drehspieß-Welle	
	Otáčecí kroužek			Jehlice	
	Otáčací krúžok			Ihlica	
	Forgó kör			Tű	
	Pierścień obracania			Igla	





۲۷

